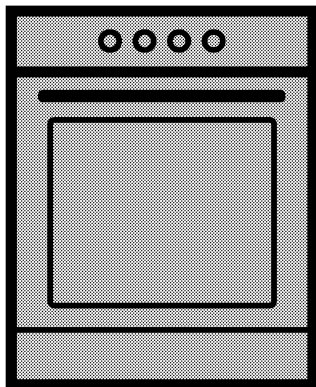


Oven

User manual



CSG 42011 FS

EN | IT | LT

585.3003.17/R.AE/17.01.2018

Please read this user manual first!

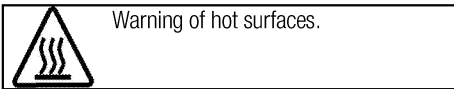
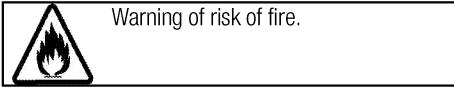
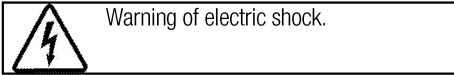
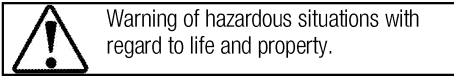
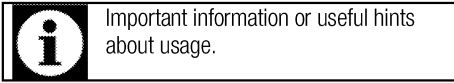
Dear Customer,

Thank you for purchasing this Beko product. We hope that you get the best results from your product which has been manufactured with high quality and state-of-the-art technology. Therefore, please read this entire user manual and all other accompanying documents carefully before using the product and keep it as a reference for future use. If you handover the product to someone else, give the user manual as well. Follow all warnings and information in the user manual.

Remember that this user manual is also applicable for several other models. Differences between models will be identified in the manual.

Explanation of symbols

Throughout this user manual the following symbols are used:



Arçelik A.Ş.
Karaağaç caddesi No:2-6
34445 Sütlüce/İstanbul/TURKEY
Made in TURKEY



This product was manufactured using the latest technology in environmentally friendly conditions.

TABLE OF CONTENTS

1 Important instructions and warnings for safety and environment 4

General safety	4
Safety when working with gas.....	4
Electrical safety	5
Product safety	6
Intended use	8
Safety for children.....	8
Disposing of the old product.....	9
Package information	9
Future Transportation.....	9

2 General information 10

Overview	10
Package contents	11
Technical specifications	12
Injector table	12

3 Installation 13

Before installation	13
Installation and connection	14
Gas conversion.....	15

4 Preparation 18

Tips for saving energy	18
Initial use.....	18
First cleaning of the appliance.....	18
Initial heating	18

5 How to use the hob 19

General information about cooking	19
Using the hobs.....	19

6 How to operate the oven 21

General information on baking, roasting.....	21
How to use the gas oven.....	21
Cooking times table.....	22

7 Maintenance and care 23

General information.....	23
Cleaning the hob	23
Cleaning the control panel	23
Cleaning the oven	23
Removing the oven door	24
Removing the door inner glass.....	24
Replacing the oven lamp.....	25

8 Troubleshooting 26

1 Important instructions and warnings for safety and environment

This section contains safety instructions that will help protect from risk of personal injury or property damage. Failure to follow these instructions shall void any warranty.

General safety

- This appliance can be used by children aged from 8 years and above and persons with reduced physical, sensory or mental capabilities or lack of experience and knowledge if they have been given supervision or instruction concerning use of the appliance in a safe way and understand the hazards involved.

Children shall not play with the appliance. Cleaning and user maintenance shall not be made by children without supervision.

- The appliance is not to be used by persons (including children) with reduced physical, sensory or mental capabilities, or lack of experience and knowledge, unless they have been given supervision or instruction.

Children should be supervised and ensure they do not play with the appliance

- If the product is handed over to someone else for personal use or second-hand use purposes, the user manual, product labels and

other relevant documents and parts should be also given.

- Never place the product on a carpet-covered floor. Otherwise, lack of airflow beneath the product will cause electrical parts to overheat. This will cause problems with your product.
- Installation and repair procedures must always be performed by Authorised Service Agents. The manufacturer shall not be held responsible for damages arising from procedures carried out by unauthorised persons which may also void the warranty. Before installation, read the instructions carefully.
- Do not operate the product if it is defective or has any visible damage.
- Ensure that the product function knobs are switched off after every use.

Safety when working with gas

- Any works on gas equipment and systems may only be carried out by authorised qualified persons who are Gas Safe registered.
- Prior to the installation, ensure that the local distribution conditions (nature of the gas and gas pressure) and the adjustment of the appliance are compatible.

- This appliance is not connected to a combustion products or evacuation device. It shall be installed and connected in accordance with current installation regulations. Particular attention shall be given to the relevant requirements regarding ventilation; See *Before installation, page 13*
- The use of gas cooking appliance results in the production of heat and moisture in the room in which it is installed. Ensure that the kitchen is well ventilated: keep natural ventilation holes open or install a mechanical ventilation device (mechanical extractor hood). Prolonged intensive use of the appliance may call for additional ventilation, for example increasing the level of the mechanical ventilation where present.
- Gas appliances and systems must be regularly checked for proper functioning. Regulator, hose and its clamp must be checked regularly and replaced within the periods recommended by its manufacturer or when necessary.
- Clean the gas burners regularly. The flames should be blue and burn evenly.
- Good combustion is required in gas appliances. In case of incomplete combustion, carbon monoxide (CO) might develop. Carbon monoxide is a colourless, odourless and very

toxic gas, which has a lethal effect even in very small doses.

- Request information about gas emergency telephone numbers and safety measures in case of gas smell from you local gas provider.

What to do when you smell gas

- Do not use open flame or do not smoke. Do not operate any electrical buttons (e.g. lamp button, door bell and etc.) Do not use fixed or mobile phones. Risk of explosion and toxication!
- Open doors and windows.
- Turn off all valves on gas appliances and gas meter at the main control valve, unless it's in a confined space or cellar.
- Check all tubes and connections for tightness. If you still smell gas leave the property.
- Warn the neighbours.
- Call the fire-brigade. Use a telephone outside the house.
- Do not re-enter the property until you are told it is safe to do so.

Electrical safety

- If the product has a failure, it should not be operated unless it is repaired by an Authorised Service Agent. There is the risk of electric shock!
- Only connect the product to a grounded outlet/line with the voltage and protection as specified in the "Technical specifications". Have the grounding installation

made by a qualified electrician while using the product with or without a transformer. Our company shall not be liable for any problems arising due to the product not being earthed in accordance with the local regulations.

- Never wash the product by spreading or pouring water onto it! There is the risk of electric shock!
- Never touch the plug with wet hands! Never unplug by pulling on the cable, always pull out by holding the plug.
- The product must be disconnected during installation, maintenance, cleaning and repairing procedures.
- If the power connection cable for the product is damaged, it must be replaced by the manufacturer, its service agent or similarly qualified persons in order to avoid a hazard.
- The appliance must be installed so that it can be completely disconnected from the mains supply. The separation must be provided by a switch built into the fixed electrical installation, according to construction regulations.
- Rear surface of the oven gets hot when it is in use. Make sure that the gas/electrical connection does not contact the rear surface; otherwise, connections can get damaged.

- Do not trap the mains cable between the oven door and frame and do not route it over hot surfaces. Otherwise, cable insulation may melt and cause fire as a result of short circuit.
- Any work on electrical equipment and systems should only be carried out by authorised and qualified persons.
- In case of any damage, switch off the product and disconnect it from the mains. To do this, turn off the fuse at home.
- Make sure that fuse rating is compatible with the product.

Product safety

- **WARNING:** The appliance and its accessible parts become hot during use. Care should be taken to avoid touching heating elements. Children less than 8 years of age shall be kept away unless continuously supervised.
- Never use the product when your judgment or coordination is impaired by the use of alcohol and/or drugs.
- Be careful when using alcoholic drinks in your dishes. Alcohol evaporates at high temperatures and may cause fire since it can ignite when it comes into contact with hot surfaces.
- **Food Poisoning Hazard:** Do not let food sit in oven for more than 1 hour before or after cooking. Doing

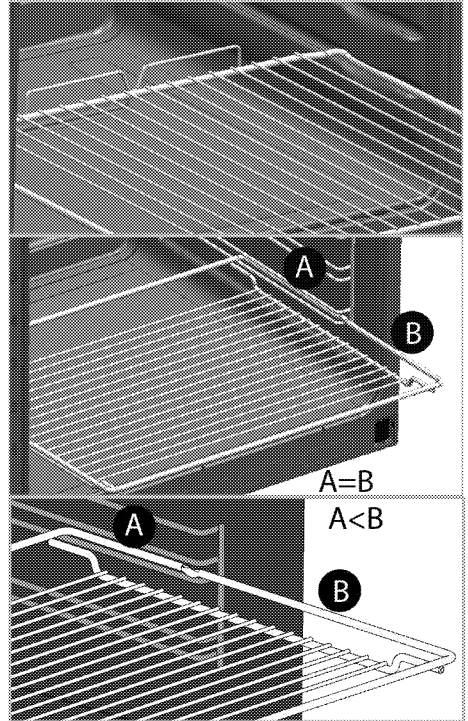
so can result in food poisoning or sickness.

- Do not place any flammable materials close to the product as the sides may become hot during use.
- During use the appliances becomes hot. Care should be taken to avoid touching heating elements inside the oven.
- Keep all ventilation slots clear of obstructions.
- Do not heat closed tins and glass jars in the oven. The pressure that would build-up in the tin/jar may cause it to burst.
- Do not place baking trays, dishes or aluminium foil directly onto the bottom of the oven. The heat accumulation might damage the bottom of the oven.
- Do not use harsh abrasive cleaners or sharp metal scrapers to clean the oven door glass since they can scratch the surface, which may result in shattering of the glass.
- Do not use steam cleaners to clean the appliance as this may cause an electric shock.
- (Varies depending on the product model.)

Placing the wire shelf and tray onto the wire racks properly

It is important to place the wire shelf and/or tray onto the rack properly. Slide the wire shelf or tray between 2 rails and make sure that it is balanced before placing food

on it (Please see the following figure).



- Do not use the product if the front door glass removed or cracked.
- Always use heat resistant oven gloves when putting in or removing dishes into/from the hot oven.
- Place the baking paper into the cooking pot or on to the oven accessory (tray, wire grill etc) together with the food and then insert all into the preheated oven. Remove the excess parts of the baking paper overflowing from the accessory or the pot in order to prevent the risk of touching the oven's heating elements. Never use the baking paper in an

operating temperature higher than the indicated value for the baking paper. Do not place the baking paper directly on the base of the oven.

- **WARNING:** Ensure that the appliance is switched off before replacing the lamp to avoid the possibility of electric shock.
- Do not close the top cover before the hotplates or burners cool down. Wipe the top cover dry before opening it in order to avoid water leakage to the rear and inner sections of the oven.
- The appliance must not be installed behind a decorative door in order to avoid overheating.
- Product must be placed directly on the floor. It must not be placed onto a base or a pedestal.
- **WARNING:** Unattended cooking on a hob with fat or oil can be dangerous and may result in fire. NEVER try to extinguish a fire with water, but switch off the appliance and then cover flame e.g. with a lid or a fire blanket.
- **CAUTION:** The cooking process has to be supervised. A short term cooking process has to be supervised continuously.
- **WARNING:** Danger of fire: Do not store items on the cooking surfaces.

Prevention against possible fire risk!

- Ensure all electrical connections are secure and tight to prevent risk of arcing.
- Do not use damaged cables or extension cables.
- Ensure liquid or moisture is not accessible to the electrical connection point.
- To prevent gas leakage ensure that the gas connection is sound.

Intended use

- This product is designed for domestic use. Commercial use will void the guarantee.
- This appliance is for cooking purposes only. It must not be used for other purposes, for example room heating.
- The manufacturer shall not be liable for any damage caused by improper use or handling errors.
- The oven can be used for defrosting, baking, roasting and grilling food.

Safety for children

- **WARNING:** Accessible parts may become hot during use. Young children should be kept away.
- The packaging materials will be dangerous for children. Keep the packaging materials away from children. Please dispose of all parts of the packaging according to environmental standards.
- Electrical and/or gas products are dangerous to children. Keep

children away from the product when it is operating and do not allow them to play with the product.

- An additional protective means to avoid contact with the oven door is available. This part should be fitted when young children are likely to be present.
- Do not place any items above the appliance that children may reach for.
- When the door is open, do not load any heavy object on it and do not allow children to sit on it. It may overturn or door hinges may get damaged.

Disposing of the old product

Compliance with the WEEE Directive and Disposing of the Waste Product:



This product complies with EU WEEE Directive (2012/19/EU). This product bears a classification symbol for waste electrical and electronic equipment (WEEE).

This product has been manufactured with high quality parts and materials which can be reused and are suitable for recycling. Do not dispose of the waste product with normal domestic and other wastes at the end of its service life. Take it to the collection center for the recycling of electrical and electronic equipment.

Please consult your local authorities to learn about these collection centers.

Compliance with RoHS Directive:



The product you have purchased complies with EU RoHS Directive (2011/65/EU). It does not contain harmful and prohibited materials specified in the Directive.

Package information

- Packaging materials of the product are manufactured from recyclable materials in accordance with our National Environment Regulations. Do not dispose of the packaging materials together with the domestic or other wastes. Take them to the packaging material collection points designated by the local authorities.

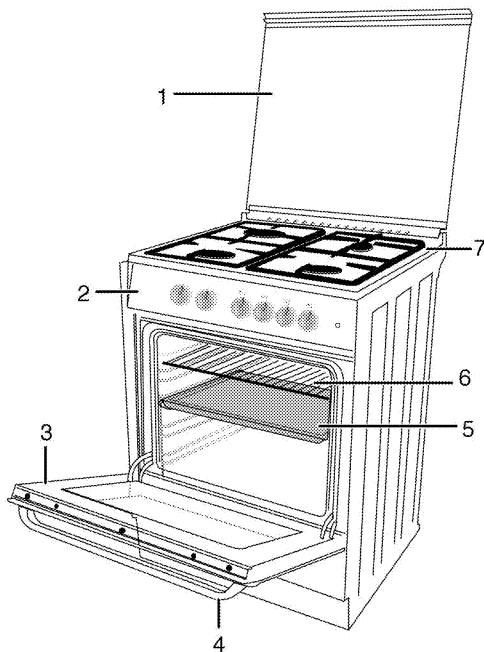
Future Transportation

- Keep the product's original carton and transport the product in it. Follow the instructions on the carton. If you do not have the original carton, pack the product in bubble wrap or thick cardboard and tape it securely.
- To prevent the wire grill and tray inside the oven from damaging the oven door, place a strip of cardboard onto the inside of the oven door that lines up with the position of the trays. Tape the oven door to the side walls.
- Secure the caps and pan supports with adhesive tape.
- Do not use the door or handle to lift or move the product.

	Do not place any objects onto the product and move it in upright position.
	Check the general appearance of your product for any damages that might have occurred during transportation.

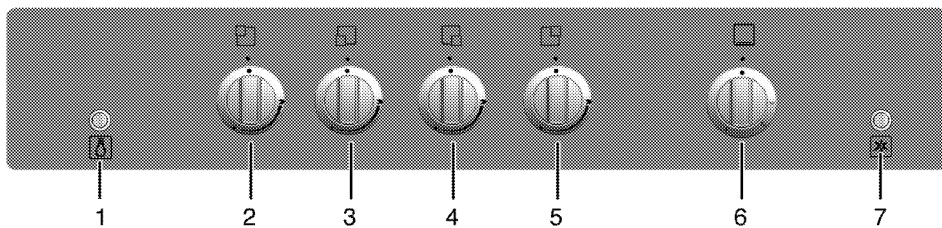
2 General information

Overview



- 1 Top lid
- 2 Control panel
- 3 Front door
- 4 Handle

- 5 Tray
- 6 Wire shelf
- 7 Burner plate



- 1 Lamp button
- 2 Normal burner Rear left
- 3 Auxiliary burner Front left
- 4 Rapid burner Front right
- 5 Normal burner Rear right
- 6 Oven knob
- 7 Ignition button

Package contents

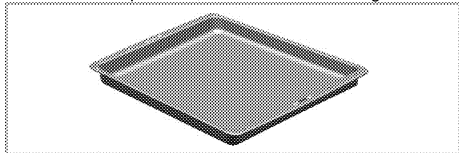


Accessories supplied can vary depending on the product model. Not every accessory described in the user manual may exist on your product.

1. **User manual**

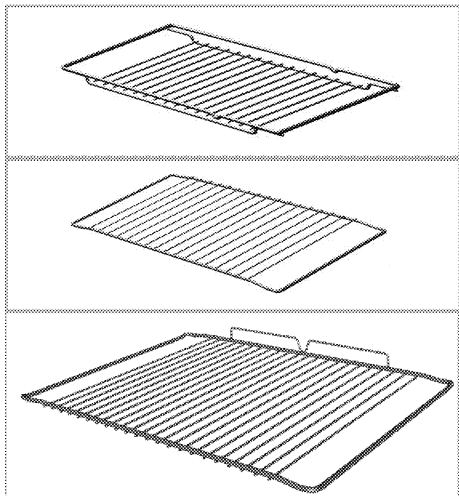
2. **Oven tray**

Used for pastries, frozen foods and big roasts.



3. **Wire Shelf**

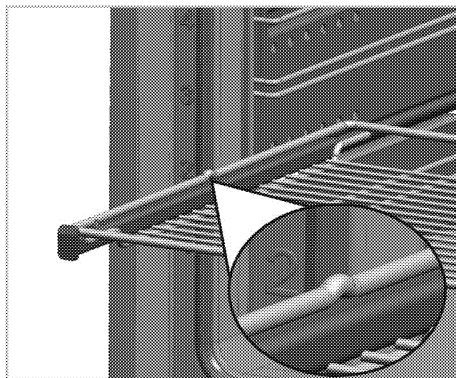
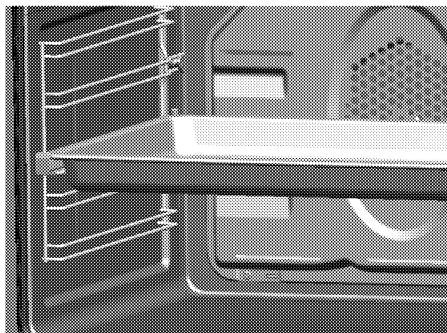
Used for roasting and for placing the food to be baked, roasted or cooked in casserole dishes to the desired rack.



4. **Placing the wire shelf and tray onto the telescopic racks properly**
(This feature is optional. It may not exist on your product.)

Telescopic racks allow you to install and remove the trays and wire shelf easily.

When using the tray and wire shelf with telescopic racks, make sure that the pins at the rear section of the telescopic rack stands against the edges of the wire shelf and tray.



Technical specifications

GENERAL	
External dimensions (height / width / depth)	850 mm/500 mm/500 mm
Voltage / frequency	220-230 V ~ 50 Hz
Fuse	min. 6 A
Cable type / section	min.H05W-FG 3 x 0,75 mm ²
Category of gas product	II 2H3B/P / II 2H3+
Gas type / pressure	NG G 20/20 mbar
Total gas consumption	9.5 kW
Converting the gas type / pressure ^S	LPG G 30/28-30 mbar
— optional	Propane 31/37 mbar
HOB	
Burners	
Rear left	Normal burner
Power	2.0 kW
Front left	Auxiliary burner
Power	1.0 kW
Front right	Rapid burner
Power	2.5 kW
Rear right	Normal burner
Power	2.0 kW
OVEN	
Main oven	Gas oven
Inner lamp	15-25 W
Gas consumption of oven	2.0 kW



Technical specifications may be changed without prior notice to improve the quality of the product.



Figures in this manual are schematic and may not exactly match your product.



Values stated on the product labels or in the documentation accompanying it are obtained in laboratory conditions in accordance with relevant standards. Depending on operational and environmental conditions of the product, these values may vary.

Injector table

Position hob zone	2.0 kW Rear left	1.0 kW Front left	2.5 kW Front right	2.0 kW Rear right
Gas type / Gas pressure				
G 20/20 mbar	103	72	125	103
G 30/28-30 mbar	72	50	80	72
G 31/ 37 mbar	72	50	80	72
Gas type / Gas pressure	Gas oven			
G 20/20 mbar	105			
G 30/28-30 mbar	71			
G 31/ 37 mbar	71			

3 Installation

Product must be installed by a qualified person in accordance with the regulations in force. The manufacturer shall not be held responsible for damages arising from procedures carried out by unauthorized persons which may also void the warranty.



Preparation of location and electrical and gas installation for the product is under customer's responsibility.



DANGER:

The product must be installed in accordance with all local gas and/or electrical regulations.



DANGER:

Prior to installation, visually check if the product has any defects on it. If so, do not have it installed.

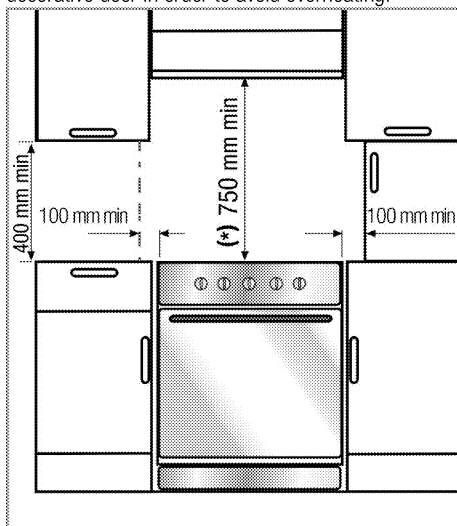
Damaged products cause risks for your safety.

Before installation

To ensure that critical air gaps are maintained under the appliance, we recommend that this appliance is mounted on a solid base and that the feet do not sink into any carpet or soft flooring.

The kitchen floor must be able to carry the weight of the appliance plus the additional weight of cookware and bakeware and food.

If the range is placed on a base, measures have to be taken to prevent the appliance slipping from the base. The appliances must not be installed behind a decorative door in order to avoid overheating.



- It can be used with cabinets on either side but in order to have a minimum distance of 400mm above hotplate level allow a side clearance of 65mm between the appliance and any wall, partition or tall cupboard.
- It can also be used in a free standing position. Allow a minimum distance of 750 mm above the hob surface.
- (*) If a cooker hood is to be installed above the cooker, refer to cooker hood manufacturer' instructions regarding installation height (min 650 mm).
- The appliance corresponds to device class 1, i.e. it may be placed with the rear and **one** side to kitchen walls, kitchen furniture or equipment of any size. The kitchen furniture or equipment on the **other** side may only be of the same size or smaller.
- Any kitchen furniture next to the appliance must be heat-resistant (100 °C min.).

Room ventilation

All rooms require an openable window, or equivalent, and some rooms will require a permanent vent as well. The air for combustion is taken from the room air and the exhaust gases are emitted directly into the room. Good ventilation is essential for safe operation of your appliance.

Rooms with doors and/or windows which open directly to the outer environment

The doors and/or windows that open directly to the outer environment must have a total ventilation opening of the dimensions specified in the table below which is based on the total gas power of the appliance (total gas power consumption of the appliance is shown in the technical specification table of this user manual). If the doors and/or windows do not have a total ventilation opening corresponding to the total gas consumption of the appliance as specified in the table below, then there must definitely be an additional fixed ventilation opening in the room to ensure that the total minimum ventilation requirements for the total gas consumption of the appliance is achieved. The fixed ventilation opening can include openings for existing airbricks, extraction hood ducting opening dimension etc.

Total gas consumption (kW)	min. Ventilation opening (cm ²)
0-2	100
2-3	120
3-4	175
4-6	300
6-8	400
8-10	500
10-11.5	600
11.5-13	700
13-15.5	800
15.5-17	900
17-19	1000
19-24	1250

Rooms that do not have openable doors and/or windows that open directly to the outer environment

If the room where the appliance is installed does not have a door and/or a window that opens directly to the outer environment, other products shall be sought that definitely provide a fixed nonadjustable and non-closable ventilation opening which meets the total minimum ventilation opening requirements for the total gas consumption of the appliance as indicated in the above table. Also the appropriate building regulations advise should be followed.

Where a room or internal space contains more than one gas appliance, additional ventilation area shall be provided on top of the requirement given in the table above. Size of additional ventilation area shall be appropriate to regulations of other gas appliances. There should also be a minimum clearance of 10mm on the bottom edge of the door that opens to the inner environment in the room where the appliance is installed. You must ensure that items such as carpets and other floorcoverings etc., do not affect the clearance when the door is closed.

The cooker may be located in a kitchen, kitchen/diner or a bed-sitting room, but not in a room containing a bath or a shower. The cooker must not be installed in a bed-sitting room of less than 20m³.

Do not install this appliance in a room below ground level unless it is open to ground level on at least one side.

Installation and connection

Product can only be installed and connected in accordance with the statutory installation rules.



Do not install the product next to refrigerators or freezers. The heat emitted by the product will increase the energy consumption of cooling appliances.

- Carry the product with at least two persons.
- Product must be placed directly on the floor. It must not be placed onto a base or a pedestal.



Do not use the door and/or handle to carry or move the product. The door, handle or hinges get damaged.

Electrical connection

Connect the product to a grounded outlet/line protected by a miniature circuit breaker of suitable capacity as stated in the "Technical specifications" table. Have the grounding installation made by a qualified electrician while using the product with or without a transformer. Our company shall not be liable for any damages that will arise due to using the product without a grounding installation in accordance with the local regulations.



DANGER:

The product must be connected to the mains supply only by an authorised and qualified person. The product's warranty period starts only after correct installation.

Manufacturer shall not be held responsible for damages arising from procedures carried out by unauthorised persons.



DANGER:

The power cable must not be clamped, bent or trapped or come into contact with hot parts of the product.

A damaged power cable must be replaced by a qualified electrician. Otherwise, there is risk of electric shock, short circuit or fire!

The mains supply data must correspond to the data specified on the type label of the product. The rating plate is either seen when the door or the lower cover is opened or it is located at the rear wall of the unit depending on the unit type.

Power cable of your product must comply with the values in "Technical specifications" table.



Power cable plug must be within easy reach after installation (do not route it above the hob).



While performing the wiring, you must apply with the national/local electrical regulations and must use the appropriate socket outlet/line and plug for oven. In case of the product's power limits are out of current carrying capability of plug and socket outlet/line, the product must be connected through fixed electrical installation directly without using plug and socket outlet/line.



DANGER:

Before starting any work on the electrical installation, disconnect the product from the mains supply. There is the risk of electric shock!

Connect the power cable into the socket.

Gas connection



DANGER:

Product can be connected to gas supply system only by an authorised and qualified person or technician with licence. Risk of explosion or toxication due to unprofessional repairs! Manufacturer shall not be held responsible for damages arising from procedures carried out by unauthorised or unlicensed persons.



DANGER:

Before starting any work on the gas installation, disconnect the gas supply. There is the risk of explosion!

- Gas adjustment conditions and values are stated on labels (or ion type label).



Your product is equipped for natural gas (NG).

- Natural gas installation must be prepared before installing the product.
- There must be a pipe (Piping advised to be bought from a licensed installer), must comply with local gas standard, at the outlet of the installation for the natural gas connection of your product and the tip of this pipe must be closed with a blind plug. Service Representative will remove the blind plug during connection and connect your product by means of a straight connection device (coupling).
- Make sure that the natural gas valve is readily accessible.
- If you need to use your product later with a different type of gas, you must consult the

Authorised Service Agent for the related conversion procedure.



DANGER:

The gas hose must not be clamped, bent or trapped or come into contact with hot parts of the product. There is the risk of explosion due to damaged gas hose.

- Push the product towards the kitchen wall.
- **Adjusting the feet of oven**
Vibrations during use may cause cooking vessels to move. This dangerous situation can be avoided if the product is level and balanced. For your own safety please ensure the product is level by adjusting the four feet at the bottom by turning left or right and align level with the work top.

Final check

1. Open gas supply.
2. Check gas installations for secure fitting and tightness.
3. Ignite burners and check appearance of the flame.



Flame must be blue and have a regular shape. If the flame is yellowish, check if the burner cap is seated securely or clean the burner.

Gas conversion



DANGER:

Before starting any work on the gas installation, disconnect the gas supply. There is the risk of explosion!

In order to change your appliance's gas type, change all injectors and make flame adjustment for all valves at reduced flow rate position.

Exchange of injector for the burners

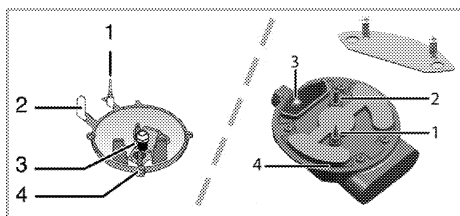
1. Take off burner cap and burner body.
2. Unscrew injectors by turning the counter-clockwise.
3. Fit new injectors.
4. Check all connections for secure fitting and tightness.



New injectors have their position marked on their packing or injector table on *Injector table, page 12* can be referred to.



((Varies depending on the product model.)) On some hob burners, the injector is covered with a metal piece. This metal cover must be removed for injector replacement.



- 1 Flame failure device (model dependant)
- 2 Spark plug
- 3 Injector
- 4 Burner

i Unless there is an abnormal condition, do not attempt to remove the gas burner taps. You must call an Authorised service agent or technician with licence if it is necessary to change the taps.

Reduced gas flow rate setting for hob taps

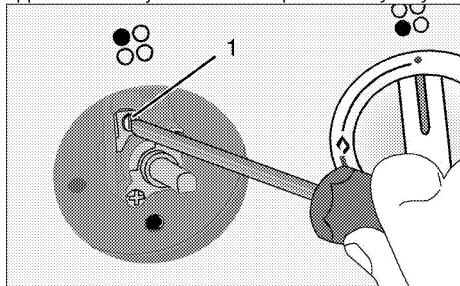
1. Ignite the burner that is to be adjusted and turn the knob to the reduced position.
2. Remove the knob from the gas tap.
3. Use an appropriately sized screwdriver to adjust the flow rate adjustment screw.

For LPG (Butane - Propane) turn the screw clockwise. For the natural gas, you should turn the screw **counter-clockwise** once.

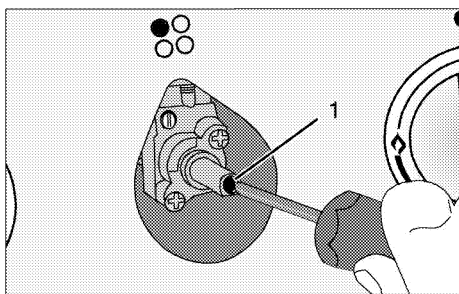
» The normal length of a straight flame in the reduced position should be 6-7 mm.

4. If the flame is higher than the desired position, turn the screw clockwise. If it is smaller turn anticlockwise.
5. For the last control, bring the burner both to high-flame and reduced positions and check whether the flame is on or off.

Depending on the type of gas tap used in your appliance the adjustment screw position may vary.



- 1 Flow rate adjustment screw

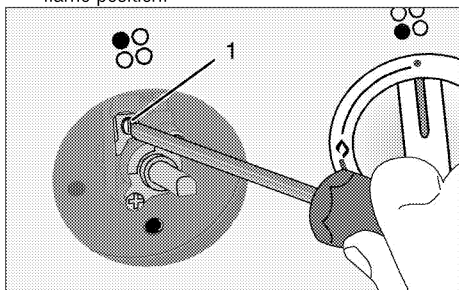


- 1 Flow rate adjustment screw

Reduced flow adjustment for the gas oven

For the appropriate functioning of the oven re-checking the by-pass adjustment is extremely important. In order to provide maximum security to the user these operations have to be done with care.

1. Ignite the burner that is to be adjusted and turn the knob to the high flame position.
2. Close the oven door and wait for 10 to 15 minutes until the oven becomes ready for adjustment.
3. Take out the knob
4. After 15 minutes, adjust the oven to the lowest flame position.



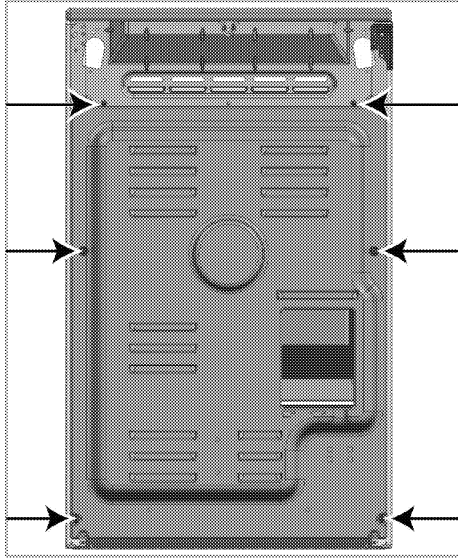
5. Set the flame length to 2 to 3 mm by means of the screw 1 on the oven tap. Turning in clockwise direction reduces the flame, turning counter-clockwise increases the flame.

i If gas flow rate of oven cannot be set with removing knob, please remove the needed oven parts (control panel, burner plate etc.) and then set the gas flow rate of oven.

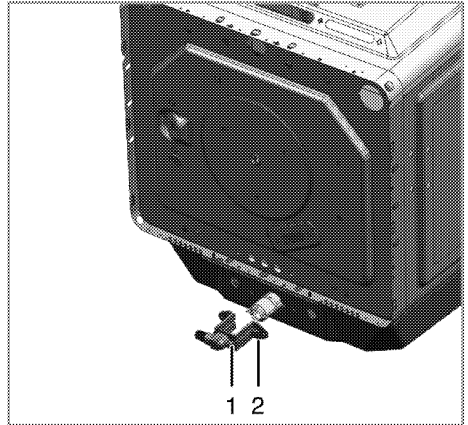
i If the temperature of the oven increases unintendedly, turn off the oven and call the authorised service agent or technician with licence to have oven thermostat repaired.

Exchange of injector for the oven

1. Unscrew fastening screws of the back wall.




2. Unscrew the 2 screws (2) of the injector holder (1).



- 1 Injector holder
- 2 Screw
3. Pull out the injector holder.
4. Unscrew injector by turning to counter-clockwise direction.
5. Fit new injector.

i If the gas type of the unit is changed, then the rating plate that shows the gas type of the unit must also be changed.

Butan/propan	Natural gas
Tighten the screw by turning it clockwise until the end.	Loosen the screw
	1/2 round
	

4 Preparation

Tips for saving energy

The following information will help you to use your appliance in an ecological way, and to save energy:

- Use dark coloured or enamel coated cookware in the oven since the heat transmission will be better.
- While cooking your dishes, perform a preheating operation if it is advised in the user manual or cooking instructions.
- Do not open the door of the oven frequently during cooking.
- Try to cook more than one dish in the oven at the same time whenever possible. You can cook by placing two cooking vessels onto the wire shelf.
- Cook more than one dish one after another. The oven will already be hot.
- Defrost frozen dishes before cooking them.
- Use pots/pans with cover for cooking. If there is no cover, energy consumption may increase 4 times.
- Select the burner which is suitable for the bottom size of the pot to be used. Always select the correct pot size for your dishes. Larger pots require more energy.

Initial use

First cleaning of the appliance



The surface might get damaged by some detergents or cleaning materials.
Do not use aggressive detergents, cleaning powders/creams or any sharp objects during cleaning.
Do not use harsh abrasive cleaners or sharp metal scrapers to clean the oven door glass since they can scratch the surface, which may result in shattering of the glass.

1. Remove all packaging materials.
2. Wipe the surfaces of the appliance with a damp cloth or sponge and dry with a cloth.

Initial heating

Heat up the product for about 30 minutes and then switch it off. Thus, any production residues or layers will be burnt off and removed.



WARNING

Hot surfaces cause burns!
Product may be hot when it is in use. Never touch the hot burners, inner sections of the oven, heaters and etc. Keep children away. Always use heat resistant oven gloves when putting in or removing dishes into/from the hot oven.

Gas oven

1. Take all baking trays and the wire grill out of the oven.
2. Close the oven door.
3. Select the highest flame of the gas oven; see *How to use the gas oven, page 21*.
4. Operate the oven about 30 minutes.
5. Turn off your oven; See *How to use the gas oven, page 21*



Smoke and smell may emit for a couple of hours during the initial operation. This is quite normal. Ensure that the room is well ventilated to remove the smoke and smell. Avoid directly inhaling the smoke and the smell that emits.

5 How to use the hob

General information about cooking



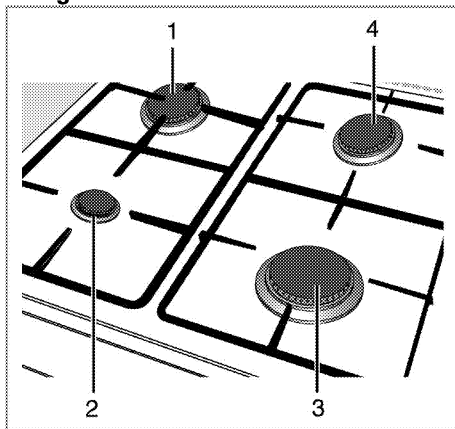
Never fill the pan with oil more than one third of it. Do not leave the hob unattended when heating oil. Overheated oils bring risk of fire. **Never attempt to extinguish a possible fire with water!** When oil catches fire, cover it with a fire blanket or damp cloth. Turn off the hob if it is safe to do so and call the fire department.

- Before frying foods, always dry them well and gently place into the hot oil. Ensure complete thawing of frozen foods before frying.
- Do not cover the vessel you use when heating oil.
- Place the pans and saucepans in a manner so that their handles are not over the hob to prevent heating of the handles. Do not place unbalanced and easily tilting vessels on the hob.
- Do not place empty vessels and saucepans on cooking zones that are switched on. They might get damaged.
- Operating a cooking zone without a vessel or saucepan on it will cause damage to the product. Turn off the cooking zones after the cooking is complete.
- As the surface of the product can be hot, do not put plastic and aluminum vessels on it. Such vessels should not be used to keep foods either.
- Use flat bottomed saucepans or vessels only.
- Put appropriate amount of food in saucepans and pans. Thus, you will not have to make any unnecessary cleaning by preventing the dishes from overflowing.
Do not put covers of saucepans or pans on cooking zones.
Place the saucepans in a manner so that they are centered on the cooking zone. When you want to move the saucepan onto another cooking zone, lift and place it onto the cooking zone you want instead of sliding it.

Gas cooking

- Size of the vessel and the flame must match each other. Adjust the gas flames so that they will not extend the bottom of the vessel and center the vessel on saucepan carrier.

Using the hobs



- 1 Normal burner 18-20 cm
- 2 Auxiliary burner 12-16 cm
- 3 Rapid burner 20-22 cm
- 4 Normal burner 18-20 cm is list of advised diameter of pots to be used on related burners.

Large flame symbol indicates the highest cooking power and small flame symbol indicates the lowest cooking power. In turned off position (top), gas is not supplied to the burners.

Igniting the gas burners



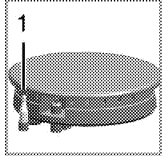
Gas burners are ignited with ignition buttons.

1. Keep burner knob pressed.
2. Turn it counter clockwise to large flame symbol.
3. Press and release the ignition button. Repeat the procedure until the released gas is ignited.
4. Adjust it to the desired cooking power.

Turning off the gas burners

Turn the knob to off (upper) position.

Gas shut off safety system (in models with thermic component)



1. Gas shut off safety

As a counter measure against blow out due to fluid overflows at burners, safety mechanism trips and shuts off the gas.

- Push the knob inwards and turn it counter clockwise to ignite.
- After the gas ignites, keep the knob pressed for 3-5 seconds more to engage the safety system.
- If the gas does not ignite after you press and release the knob, repeat the same procedure by keeping the knob pressed for 15 seconds.



DANGER:

Release the button if the burner is not ignited within 15 seconds.

Wait at least 1 minute before trying again.

There is the risk of gas accumulation and explosion!

6 How to operate the oven

General information on baking, roasting



WARNING

Hot surfaces cause burns!
Product may be hot when it is in use. Never touch the hot burners, inner sections of the oven, heaters and etc. Keep children away. Always use heat resistant oven gloves when putting in or removing dishes into/from the hot oven.



DANGER:

Be careful when opening the oven door as steam may escape.
Exiting steam can scald your hands, face and/or eyes.

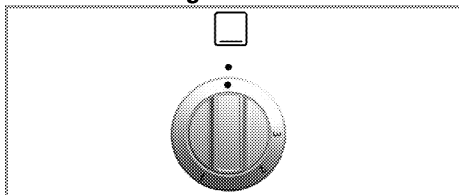
Tips for baking

- Use non-sticky coated appropriate metal plates or aluminum vessels or heat-resistant silicone moulds.
- Make best use of the space on the rack.
- Place the baking mould in the middle of the shelf.
- Select the correct rack position before turning the oven or grill on. Do not change the rack position when the oven is hot.
- Keep the oven door closed.

Tips for roasting

- Treating whole chicken, turkey and large piece of meat with dressings such as lemon juice and black pepper before cooking will increase the cooking performance.
- It takes about 15 to 30 minutes longer to roast meat with bones when compared to roasting the same size of meat without bones.
- Each centimeter of meat thickness requires approximately 4 to 5 minutes of cooking time.
- Let meat rest in the oven for about 10 minutes after the cooking time is over. The juice is better distributed all over the roast and does not run out when the meat is cut.
- Fish should be placed on the middle or lower rack in a heat-resistant plate.

How to use the gas oven

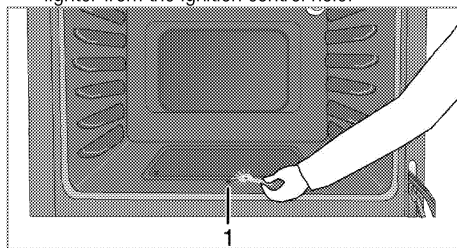


The gas oven is operated by the gas oven control knob. In off position (top) the gas supply is Off.

Switch on the gas oven

The gas oven is ignited with the ignition button.

1. Open oven door.
2. Keep gas oven control knob pressed and turn it **counterclockwise**.
3. Press ignition button and release it again.
4. Keep the gas oven control knob pressed for 3 to 5 seconds.
» Repeat the process until the emanating gas is ignited.
5. Keep the gas oven control knob pressed for another 3 to 5 seconds. Be sure that gas has ignited and flame is present.
6. Select the desired baking power/ gas mark.
7. If there is no electricity; ignite the gas with the gas lighter from the ignition control hole.



1 Ignition control hole

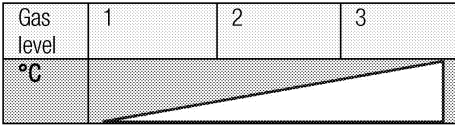


DANGER:

There is the risk of gas compression and explosion! Do not attempt to ignite the gas more than 15 seconds. If the burner is not ignited within 15 seconds, turn off the knob and wait for 1 minute. Ventilate the room before reattempting to ignite the burner. There is the risk of gas compression and explosion!

Switch off the gas oven

1. Turn gas oven control knob to off position (top).
Gas level temperature chart



Maximum load capacity of oven tray: 4 kg (8.8 lb).



The timings in this chart are meant as a guide. Timings may vary due to temperature of food, thickness, type and your own preference of cooking.

Stand dishes on a baking sheet to prevent spillages onto oven base and help keep oven clean.

Cooking times table



1st rack of the oven is the **bottom** rack.

Baking and roasting

Food	Preheating *	Insertion level	Control knob position	Cooking time
Apple pie	10 min.	4..5	1	25..30 min.
Fruit tart	10 min.	4..5	1	25..35 min.
Pie	10 min.	3..4	1	30..40 min.
Cookies	10 min.	4..5	1	25..35 min.
Pastry	10 min.	5	1	35..45 min.
Cake	10 min.	3	1	30..40 min.
Biscuits	–	4..5	1	20..30 min.
Roast lamb	10 min.	4..5	1	35..45 min. per 450 g + 30 min.
Roast Beef	10 min.	2	1	50..60 min. per 450 g + 30 min.
Turkey	10 min.	3..4	1	50..60 min. per 450 g + 30 min.
Poultry	10 min.	3..4	1	30..40 min. per 450 g + 25 min.
Casseroles	–	4	1	90...120 min. ^s
Fish	10 min.	3	1	35..45 min.
Macaroni	10 min.	3..4	1	35..40 min.
Small cakes	10 min.	4	1	30..35 min.
Victoria sandwich	10 min.	3	1	22..28 min.

* at control knob position 2 / ^s depending on quantity / [#] depending on size

7 Maintenance and care

General information

Service life of the product will extend and the possibility of problems will decrease if the product is cleaned at regular intervals.



DANGER:

Disconnect the product from mains supply before starting maintenance and cleaning works.

There is the risk of electric shock!



DANGER:

Allow the product to cool down before you clean it.

Hot surfaces may cause burns!

- Clean the product thoroughly after each use. In this way it will be possible to remove cooking residues more easily, thus avoiding these from burning the next time the appliance is used.
- No special cleaning agents are required for cleaning the product. Use warm water with washing liquid, a soft cloth or sponge to clean the product and wipe it with a dry cloth.
- Always ensure any excess liquid is thoroughly wiped off after cleaning and any spillage is immediately wiped dry.
- Do not use cleaning agents that contain acid or chloride to clean the stainless or inox surfaces and the handle. Use a soft cloth with a liquid detergent (not abrasive) to wipe those parts clean, paying attention to sweep in one direction.
- **(This feature is optional. It may not exist on your product.)**

Do not use solid metal scrapers or abrasive cleaning materials to clean the glass cover. Glass surface can get damaged.



The surface might get damaged by some detergents or cleaning materials.

Do not use aggressive detergents, cleaning powders/creams or any sharp objects during cleaning.

Do not use harsh abrasive cleaners or sharp metal scrapers to clean the oven door glass since they can scratch the surface, which may result in shattering of the glass.



Do not use steam cleaners to clean the appliance as this may cause an electric shock.

Cleaning the hob

Gas hobs

1. Remove and clean the saucepan carriers and burner caps.
2. Clean the hob.
3. Install the burner caps and make sure that they are seated correctly.
4. When installing the upper grills, pay attention to place the saucepan carriers so that the burners are centered.

Cleaning the control panel

Clean the control panel and knobs with a damp cloth and wipe them dry.



If your product is equipped with buttons/knobs do not remove the control buttons/knobs to clean the control panel.

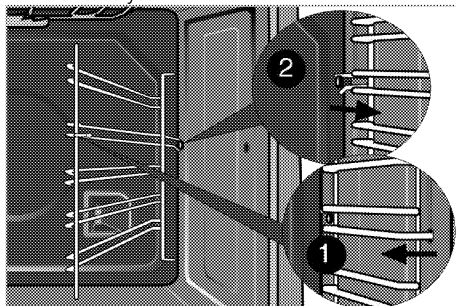
Control panel may get damaged!

Cleaning the oven

To clean the side wall

(This feature is optional. It may not exist on your product.)

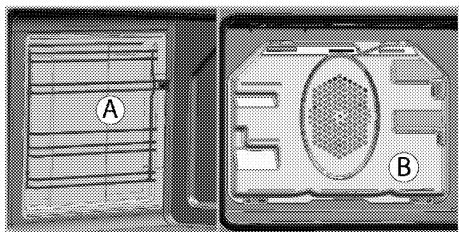
1. Remove the front section of the side rack by pulling it in the opposite direction of the side wall.
2. Remove the side rack completely by pulling it towards you.



Catalytic walls

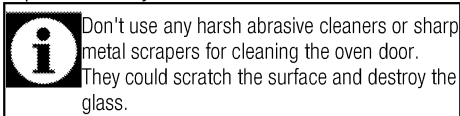
(This feature is optional. It may not exist on your product.)

The inner side walls (A) and/or the rear wall (B) of your product may be coated with catalytic enamel. Catalytic walls have a light matte colour and a porous surface. Catalytic walls of the oven should not be cleaned. Porous surfaces of the catalytic walls are automatically cleaned by absorbing and converting the spilled oil (steam and carbon dioxide).



Clean oven door

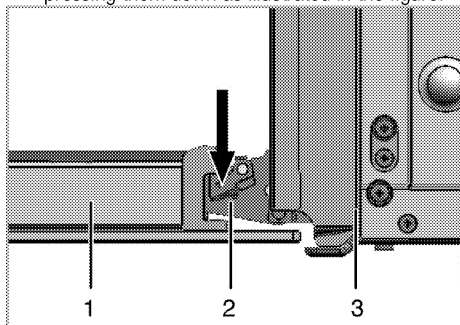
To clean the oven door, use warm water with washing liquid, a soft cloth or sponge to clean the product and wipe it with a dry cloth.



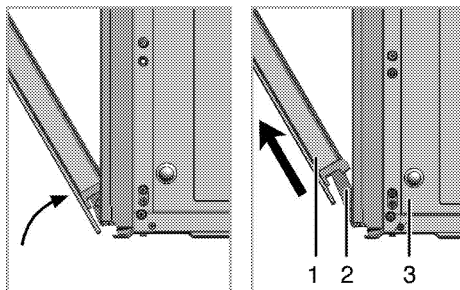
Don't use any harsh abrasive cleaners or sharp metal scrapers for cleaning the oven door. They could scratch the surface and destroy the glass.

Removing the oven door

1. Open the front door (1).
2. Open the clips at the hinge housing (2) on the right and left hand sides of the front door by pressing them down as illustrated in the figure.



- 1 Front door
- 2 Hinge
- 3 Oven



3. Move the front door to half-way.
4. Remove the front door by pulling it upwards to release it from the right and left hinges.



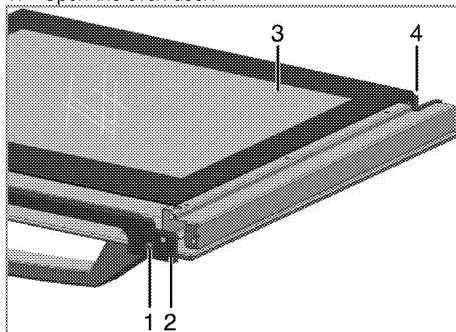
Steps carried out during removing process should be performed in reverse order to install the door. Do not forget to close the clips at the hinge housing when reinstalling the door.

Removing the door inner glass

(This feature is optional. It may not exist on your product.)

The inner glass panel of the oven door can be removed for cleaning.

1. Open the oven door.



- 1 Screw
 - 2 Profile
 - 3 Inner glass pane
 - 4 Plastic slot
2. Take out the screw(1) with a screwdriver
 3. Take out the profile (2) than hold up to inner glass (3).
 4. Then group the door again, put the glass pane (3) to the plastic slots (4) and group the profile.

Replacing the oven lamp



DANGER:

Before replacing the oven lamp, make sure that the product is disconnected from mains and cooled down in order to avoid the risk of an electrical shock.
Hot surfaces may cause burns!



The oven lamp is a special electric light bulb that can resist up to 300 °C. See *Technical specifications, page 12* for details. Oven lamps can be obtained from Authorised Service Agents or technician with licence.



Position of lamp might vary from the figure.



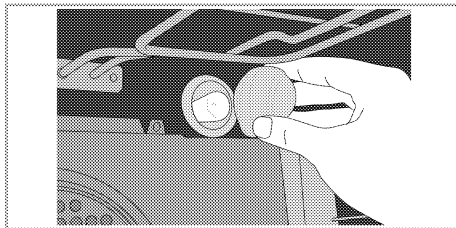
The lamp used in this appliance is not suitable for household room illumination. The intended purpose of this lamp is to assist the user to see foodstuffs.



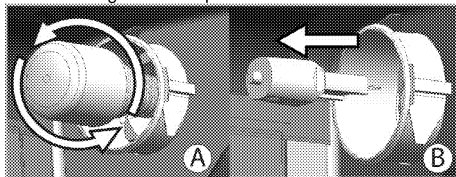
The lamps used in this appliance have to withstand extreme physical conditions such as temperatures above 50 °C.

If your oven is equipped with a round lamp:

1. Disconnect the product from mains.
2. Turn the glass cover counter clockwise to remove it.



3. If your oven lamp is of type (A) shown in the figure below, remove it by rotating as shown and replace it. If it is of type (B), pull and remove it as shown in the figure and replace it.



4. Install the glass cover.

8 Troubleshooting

Oven emits steam when it is in use.

- It is normal that steam escapes during operation. >>> *This is not a fault.*

Product emits metal noises while heating and cooling.

- When the metal parts are heated, they may expand and cause noise. >>> *This is not a fault.*

There is no ignition spark.

- No current. >>> *Check fuses in the fuse box.*

There is no gas.

- Main gas valve is closed. >>> *Open gas valve.*
- Gas pipe is bent. >>> *Install gas pipe properly.*

Burners are not burning properly or at all.

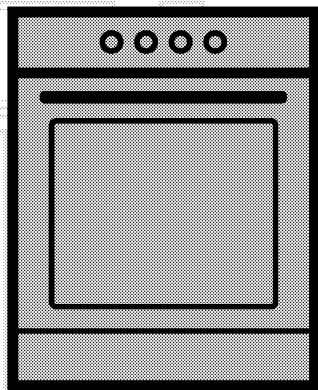
- Burners are dirty. >>> *Clean burner components.*
- Burners are wet. >>> *Dry the burner components.*
- Burner cap is not mounted safely. >>> *Mount the burner cap properly.*
- Gas valve is closed. >>> *Open gas valve.*
- Gas cylinder is empty (when using LPG). >>> *Replace gas cylinder.*



Consult the Authorised Service Agent or technician with licence or the dealer where you have purchased the product if you can not remedy the trouble although you have implemented the instructions in this section. Never attempt to repair a defective product yourself.

Forno

Manuale utente



IT

beko

Leggere questo manuale utente come prima cosa!

Gentile cliente,

Grazie per aver scelto un apparecchio Beko. Vi auguriamo di ottenere i migliori risultati da questo apparecchio, realizzato con tecnologia di alta qualità e di avanguardia. Pertanto, di leggere questo manuale utente e tutta la documentazione allegata con attenzione prima di usare l'apparecchio e di conservarli per riferimento futuro. Se l'apparecchio viene trasferito ad un'altra persona, bisogna consegnare anche il manuale. Seguire tutte le avvertenze e le informazioni del manuale utente.

Ricordare che questo manuale utente può essere applicabile anche a vari altri modelli. Le differenze tra i modelli sono identificate nel manuale.

Spiegazione dei simboli

In questo manuale utente si usano i simboli che seguono:



Informazioni importanti o consigli utili sull'uso.



Avvertenza per situazioni pericolose per la vita e la proprietà.



Avvertenza per shock elettrico.



Avvertenza per rischio di incendio.



Avvertenza per superfici calde.



Arçelik A.Ş.
Karaağaç caddesi No:2-6
34445 Sultüce/Istanbul/TURKEY
Made in TURKEY

1 Istruzioni importanti e avvertenze per sicurezza e ambiente 4

Sicurezza generale..... 4
 Sicurezza quando si lavora con il gas 5
 Sicurezza elettrica..... 6
 Sicurezza del prodotto..... 7
 Uso previsto 9
 Sicurezza dei bambini 9
 Smaltimento di vecchi prodotti..... 10
 Smaltimento del materiale di imballaggio..... 10
 Smaltimento di vecchi prodotti..... 10

2 Informazioni generali 11

Panoramica..... 11
 Contenuto della confezione..... 12
 Specifiche tecniche..... 13
 Tabella iniettori..... 13

3 Installazione 14

Prima della installazione..... 14
 Installazione e collegamento..... 15
 Conversione del gas..... 16

4 Preparazioni 19

Consigli per il risparmio energetico 19

Uso iniziale 19
 Prima pulizia del prodotto 19
 Riscaldamento iniziale 19

5 Come utilizzare il piano cottura 20

Informazioni generali sulla cottura 20
 Uso del piano cottura..... 20

6 Come utilizzare il forno 22

Informazioni generali su cottura al forno, cottura arrosto 22
 Come utilizzare il forno a gas 22
 Tabella tempi di cottura 23

7 Manutenzione e cura 24

Informazioni generali 24
 Pulizia del piano cottura..... 24
 Pulizia del pannello di controllo 24
 Pulizia del forno 24
 Rimozione dello sportello del forno. 25
 Rimozione del vetro interno dello sportello 25
 Sostituzione della lampadina del forno..... 26

8 Ricerca e risoluzione dei problemi 27

1 Istruzioni importanti e avvertenze per sicurezza e ambiente

Questa sezione contiene istruzioni per la sicurezza che aiutano a proteggere dal rischio di lesioni personali o danni alla proprietà. La mancata osservanza di queste istruzioni priva la garanzia di validità.

Sicurezza generale

- Questo apparecchio può essere utilizzato da bambini con età superiore agli 8 anni e da persone con capacità fisiche, sensoriali o mentali ridotte, o che manchino di esperienza e conoscenza, purché ricevano la supervisione e le istruzioni sull'uso dell'apparecchio in modo sicuro e comprendano i rischi coinvolti. I bambini non devono giocare con l'apparecchio. Pulizia e manutenzione da parte dell'utente non devono essere eseguite da bambini senza supervisione.
- Questo apparecchio non deve essere utilizzato da persone (compresi i bambini) con capacità fisiche, sensoriali o mentali ridotte, oppure prive di esperienza e conoscenza, a meno che non ricevano supervisione o istruzioni al riguardo. I bambini devono essere vigilati affinché non giochino con il dispositivo.
- Se il prodotto viene ceduto a qualcun altro per l'uso personale o per scopi d'uso di seconda mano, fornire anche il manuale utente, le etichette del prodotto e gli altri documenti e parti.
- Non posizionare mai l'apparecchio su un pavimento coperto da tappeto. Altrimenti la mancanza di flusso di aria al di sotto dell'apparecchio provoca il surriscaldamento delle parti elettriche. Questo provocherà problemi all'apparecchio.
- Le procedure di installazione e riparazione devono essere sempre eseguite da agenti autorizzati per l'assistenza. Il produttore non sarà considerato responsabile dei danni derivanti da procedure eseguite da persone non autorizzate e potrebbe considerare non valida la garanzia. Prima dell'installazione, leggere le istruzioni con attenzione.
- Non utilizzare il prodotto se è difettoso o se presenta danni visibili.
- Controllare che le manopole delle funzioni dell'apparecchio siano disattivate dopo ogni uso.

Sicurezza quando si lavora con il gas

- Tutti gli interventi su apparecchi e sistemi a gas possono essere eseguiti solo da personale qualificato autorizzato.
- Prima dell'installazione, assicurarsi che le condizioni della distribuzione locale (tipo di gas e pressione del gas) e le regolazioni dell'apparecchio siano compatibili.
- Questo apparecchio non è collegato ad un dispositivo di evacuazione per prodotti a combustione. Deve essere installato e collegato secondo i regolamenti correnti per l'installazione. Bisogna prestare particolare attenzione ai requisiti pertinenti relativi alla ventilazione; *Vedere Prima della installazione, pagina 14*
- L'uso di cucine a gas provoca produzione di calore e umidità e prodotti di combustione nell'ambiente in cui sono installate. Assicurare che la cucina sia ben ventilata soprattutto quando l'apparecchio è in uso: mantenere le naturali aperture di ventilazione aperte o installare un dispositivo meccanico di ventilazione (cappa meccanica). L'uso intenso prolungato dell'apparecchio può richiedere una ventilazione aggiuntiva, per esempio aumentare il livello di ventilazione meccanica dove è presente.
- Gli apparecchi e i sistemi a gas devono essere controllati regolarmente per un funzionamento corretto. Regolatore, flessibile e relativo morsetto devono essere controllati regolarmente e sostituiti secondo i periodi consigliati dai produttori o quando necessario.
- Pulire regolarmente i bruciatori a gas. Le fiamme devono essere blu e bruciare in modo uniforme.
- Una buona combustione è necessaria negli apparecchi a gas. In caso di combustione non completa, può svilupparsi monossido di carbonio (CO). Il monossido di carbonio non ha colore, odore ed è un gas molto tossico che ha effetti letali anche a piccole dosi.
- Richiedere informazioni sui numeri di telefono di emergenza per il gas e sulle misure di sicurezza in caso di odore di gas al proprio fornitore locale di gas.

Cosa fare quando si sente odore di gas

- Non usare fiamme libere o non fumare. Non azionare i tasti elettrici (per es. luci, campanello di ingresso, ecc.). Non usare un

telefono o un cellulare. Rischio di esplosione e intossicazione!

- Aprire porte e finestre.
- Chiudere tutte le valvole sugli apparecchi e sui contatori del gas.
- Controllare tutti i tubi e i collegamenti per verificarne la tenuta. Se si sente ancora odore di gas, lasciare l'appartamento.
- Avisare i vicini.
- Chiamare i pompieri. Usare un telefono fuori dalla casa.
- Non entrare di nuovo finché non si riceve comunicazione sulla sicurezza.

Sicurezza elettrica

- In caso di guasti all'apparecchio, non utilizzarlo a meno che non venga riparato da un agente autorizzato per l'assistenza. C'è il rischio di shock elettrico!
- Collegare l'apparecchio solo ad una presa messa a terra/linea con tensione e protezione secondo quanto specificato in "Specifiche tecniche". Far eseguire la messa a terra da un elettricista qualificato quando si usa il prodotto con o senza un trasformatore. La nostra azienda non sarà responsabile di problemi derivanti dall'uso dell'apparecchio senza messa a terra conforme ai regolamenti locali.
- Non lavare mai l'apparecchio spargendo o versando acqua su

di esso! C'è il rischio di shock elettrico!

- Non toccare mai la spina con le mani bagnate! Non scollegare mai tirando dal cavo, tirare sempre dalla presa.
- L'apparecchio deve essere scollegato durante le procedure di installazione, manutenzione, pulizia e riparazione.
- Se il cavo di alimentazione dell'apparecchio è danneggiato, deve essere sostituito dal produttore, da un agente per l'assistenza o da persona similmente qualificata, per evitare rischi.
- L'apparecchio deve essere installato in modo che possa essere completamente scollegato dalla rete. La separazione deve essere garantita da una presa di rete o da un interruttore integrato nell'installazione elettrica fissa, secondo i regolamenti di costruzione.
- La superficie posteriore del forno diventa calda durante l'uso. Assicurarsi che il collegamento gas/elettrico non sia in contatto con la superficie posteriore; altrimenti, i collegamenti possono danneggiarsi.
- Non intrappolare il cavo di rete tra lo sportello del forno e la struttura e non farlo passare su superfici

calde. Altrimenti, l'isolamento del cavo si può fondere e provocare un incendio come risultato del corto circuito.

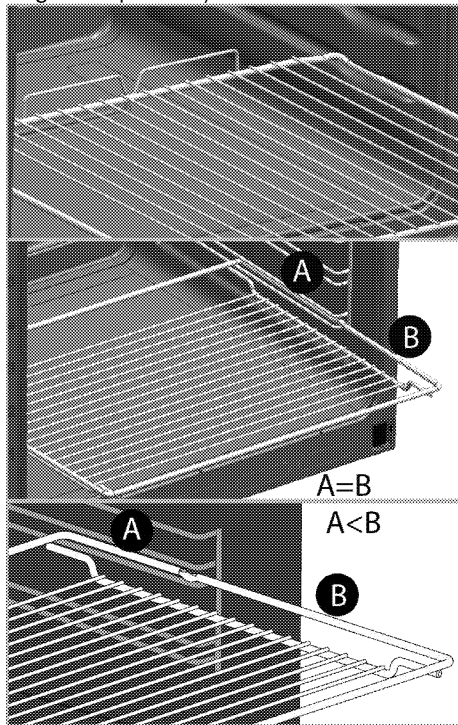
- Tutti gli interventi su apparecchi e sistemi elettrici possono essere eseguiti solo da personale qualificato e autorizzato.
- In caso di danni, spegnere il prodotto e scollegarlo dalla rete. Per farlo, disattivare il fusibile domestico.
- Assicurarsi che la corrente del fusibile sia compatibile con il prodotto.

Sicurezza del prodotto

- **AVVERTENZA:** Questo apparecchio e le parti accessibili diventano caldi durante l'uso. Bisogna prestare attenzione a evitare di toccare gli elementi che si riscaldano. I bambini di età inferiore agli 8 anni devono essere tenuti lontani a meno che non ricevano continua supervisione.
- Non usare mai il prodotto quando giudizio e coordinazione sono danneggiati dall'uso di alcool e/o droghe.
- Prestare attenzione quando si usano bevande alcoliche nei piatti. L'alcool evapora ad alte temperature e può provocare incendi poiché prende fuoco a contatto con superfici calde.

- Non mettere materiali infiammabili vicini al prodotto poiché i lati possono diventare caldi durante l'uso.
- Durante l'uso l'apparecchio diventa caldo. Bisogna prestare attenzione a evitare di toccare gli elementi che si riscaldano all'interno del forno.
- Tenere tutte le aperture di ventilazione libere da ostruzioni.
- Non riscaldare lattine chiuse e barattoli di vetro nel forno. La pressione che si può creare in contenitore/barattolo può farli esplodere.
- Non mettere vassoi per la cottura al forno o fogli di alluminio direttamente sul fondo del forno. L'accumulo di calore può danneggiare il fondo del forno.
- Non usare agenti pulenti abrasive o raschietti duri in metallo per pulire il vetro dello sportello del forno poiché potrebbero graffiare la superficie rovinando il vetro.
- Non usare pulitori a vapore per pulire l'apparecchio poiché ciò potrebbe provocare uno shock elettrico.
- (Varia a seconda del modello dell'apparecchio.)
Inserimento corretto della griglia e delle teglie
E' importante inserire la griglia e/o la teglia nelle rastrelliere

lateralmente in maniera corretta. Far scivolare la griglia e/o la teglia sulle rastrelliere laterali verificandone la stabilità prima di posizionare le pietanze al di sopra (vedi immagine esplicativa di seguito riportata)



- Non usare il prodotto con il vetro dello sportello anteriore rimosso o lesionato.
- Usare sempre guanti resistenti al calore quando si mettono o si rimuovono i piatti nel/dal forno caldo.
- Mettere la carta da forno nella pentola o nell'accessorio da forno (vassoio, grill, ecc.) assieme agli alimenti e poi inserire tutto nel

forno pre-riscaldato. Togliere le parti in eccesso della carta da forno che fuoriescono dal forno che fuoriescono dall'accessorio o dalla pentola per evitare il rischio che tocchino gli elementi di riscaldamento del forno. Non utilizzare mai la carta da forno a una temperatura operativa superiore al valore indicato per la carta da forno. Non mettere la carta da forno direttamente sulla base del forno.

- **AVVERTENZA:** Assicurarsi che l'apparecchio sia spento prima di sostituire la lampadina per evitare la possibilità di shock elettrico.
- Non chiudere il coperchio superiore prima che le piastre calde o i bruciatori si siano raffreddati.
- Asciugare il coperchio prima di aprirlo per evitare perdite di acqua nelle sezioni posteriore e interna del forno.
- Il dispositivo non deve essere installato dietro a porte decorative, così da evitarne il surriscaldamento.
- L'unità deve essere posta direttamente sul pavimento. Non deve essere posizionata su una base o un piedistallo.
- **AVVERTENZA:** La cottura senza supervisione su un piano cottura usando grassi o olio può essere pericolosa e provocare incendi.

Non cercare MAI di estinguere il fuoco con acqua, ma spegnere l'apparecchio e poi coprire la fiamma, per es. con un coperchio o una coperta ignifuga.

- **ATTENZIONE:** Il processo di cottura necessita di supervisione. Una cottura di breve durata deve essere vigilata continuamente.
- **AVVERTENZA:** Pericolo di incendio: Non conservare oggetti sulle superfici di cottura.

Per l'affidabilità antincendio dell'apparecchio:

- Assicurarsi che la spina si adatti bene alla presa e che non provochi scintille.
- Non utilizzare cavi danneggiati, tagliati o prolunghe: utilizzare solo il cavo originale.
- Assicurarsi che non vi sia liquido o umidità sulla presa quando viene collegata all'apparecchio.
- Assicurarsi che il collegamento del gas sia installato e che non vi siano perdite di gas.

Uso previsto

- Questo prodotto è progettato per uso domestico. L'uso commerciale non è ammesso.
- Questo apparecchio serve solo per cucinare. Non deve essere usato per altri scopi, per esempio riscaldare l'ambiente

- Il produttore non sarà responsabile per danni provocati da uso o gestione non corretti.
- Il forno può essere usato per scongelare, cuocere al forno, arrostitire e cuocere con il grill gli alimenti.

Sicurezza dei bambini

- **AVVERTENZA:** Le parti accessibili possono diventare calde durante l'uso. I bambini devono essere tenuti lontani.
- I materiali di imballaggio sono pericolosi per i bambini. Tenere i bambini lontani dai materiali di imballaggio. Smaltire tutte le parti dell'imballaggio secondo gli standard ambientali.
- Gli apparecchi elettrici e/o a gas sono pericolosi per i bambini. Tenere i bambini lontano dall'apparecchio mentre è in uso e non lasciarli giocare con lo stesso.
- È disponibile una protezione aggiuntiva per evitare il contatto con lo sportello del forno. Questa parte deve essere montata quando vi è la presenza probabile di bambini.
- Non mettere sopra all'apparecchio alcun oggetto che possa essere raggiunto dai bambini.
- Quando lo sportello è aperto, non caricare sopra oggetti pesanti e

non lasciare che i bambini vi si siedano sopra. Lo sportello potrebbe capovolgersi o i cardini dello stesso potrebbero danneggiarsi.

Smaltimento di vecchi prodotti

Conformità alla direttiva WEEE e allo smaltimento dei rifiuti:



Questo apparecchio è conforme alla Direttiva UE WEEE (2012/19/EU). Questo apparecchio riporta il simbolo di classificazione per i rifiuti delle apparecchiature elettriche ed elettroniche (WEEE).

Questo apparecchio è stato realizzato con parti e materiali di alta qualità che possono essere riutilizzati e sono adatti ad essere riciclati. Non smaltire i rifiuti dell'apparecchio con i normali rifiuti domestici e gli altri rifiuti alla fine della vita di servizio. Portarlo al centro di raccolta per il riciclaggio di apparecchiature elettriche ed elettroniche. Consultare le autorità locali per conoscere la collocazione di questi centri di raccolta.

Conformità alla Direttiva RoHS:

L'apparecchio acquistato è conforme alla Direttiva UE RoHS (2011/65/EU). Non contiene materiali pericolosi o proibiti specificati nella Direttiva.

Smaltimento del materiale di imballaggio

- I materiali di imballaggio sono pericolosi per i bambini. Tenere i materiali di imballaggio in un luogo sicuro, fuori dalla portata dei bambini. I materiali di imballaggio del prodotto sono realizzati con materiali riciclabili. Smaltirli in modo corretto e dividerli secondo le istruzioni per i rifiuti riciclabili. Non smaltirli con i normali rifiuti domestici.

Smaltimento di vecchi prodotti

- Conservare il cartone originale del prodotto e trasportare il prodotto in esso. Seguire le istruzioni sul cartone. Se non si ha il cartone originale, imballare il prodotto nella carta con le bolle o in un cartone spesso e assicurarlo con nastro adesivo.
- Per evitare che il grill metallico e il vassoio all'interno del forno danneggino lo sportello del forno, mettere una striscia di cartone sull'interno dello sportello in modo che si allinei con la posizione dei vassoi. Attaccare con del nastro adesivo lo sportello del forno alle pareti laterali.
- Assicurare i coperchi e i supporti delle pentole con nastro adesivo.
- Non usare sportello o maniglia per sollevare o spostare il prodotto.



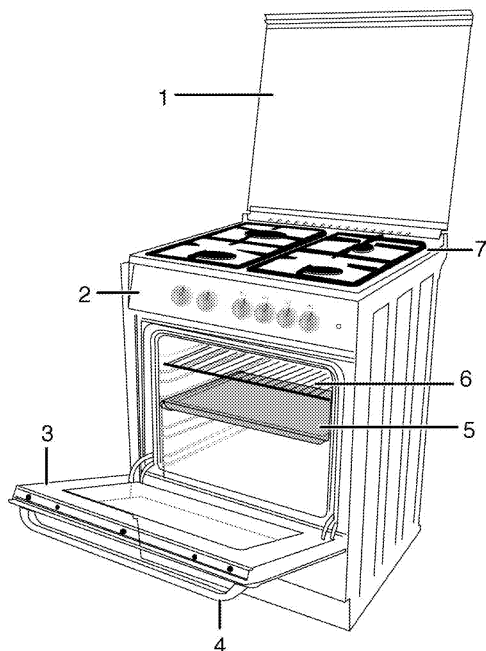
Non mettere oggetti sull'apparecchio e spostarlo in posizione verticale.



Controllare l'aspetto generale del prodotto per eventuali danni che potrebbero essersi verificati durante il trasporto.

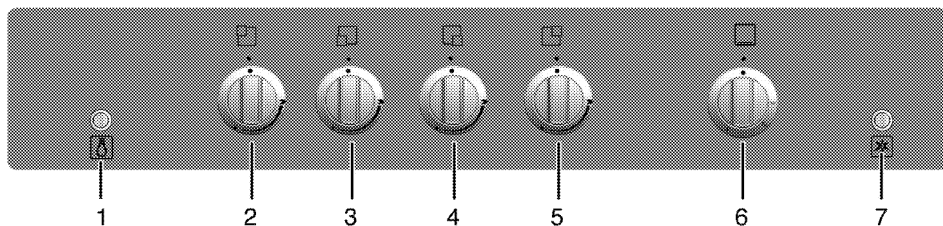
2 Informazioni generali

Panoramica



- 1 Coperchio superiore
- 2 Pannello di controllo
- 3 Sportello anteriore
- 4 Maniglia

- 5 Vassoio
- 6 Ripiano metallico
- 7 Piastra bruciatore



- 1 Tasto lampadina
- 2 Bruciatore normale Sinistra posteriore
- 3 Bruciatore ausiliario Sinistra anteriore
- 4 Bruciatore rapido Destra anteriore
- 5 Bruciatore normale Destra posteriore
- 6 Manopola forno
- 7 Pulsante accensione

Contenuto della confezione

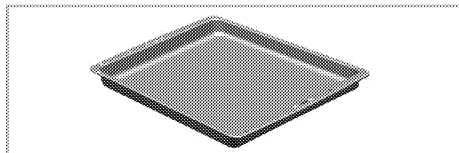


Gli accessori in dotazione possono variare a seconda del modello del prodotto. Non tutti gli accessori descritti nel manuale utente potrebbero esistere con il prodotto acquistato.

1. **Manuale utente**

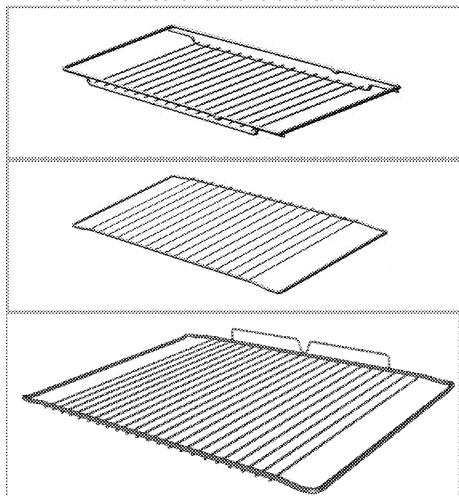
2. **Vassoio forno**

Usato per dolci, alimenti congelati e grandi arrosti.



3. **Ripiano metallico**

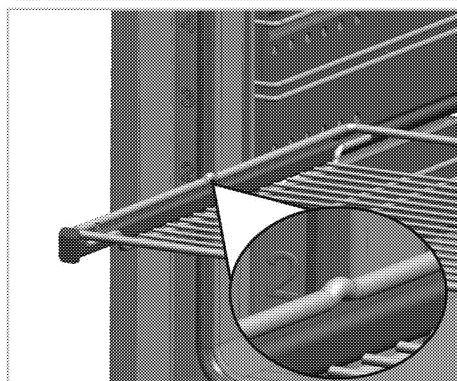
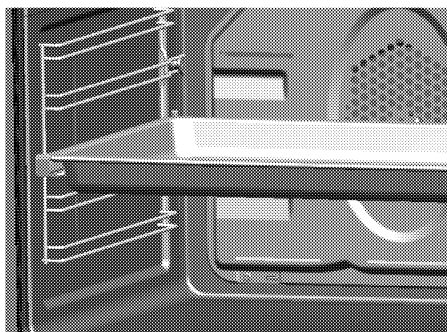
forno, da arrostiti o piatti da cuocere in casseruola sulla rastrelliera desiderata.



4. **Posizionare in modo corretto ripiano metallico e vassoio sulle rastrelliere telescopiche (Questa funzione è opzionale. Potrebbe non essere sul prodotto acquistato).**

Le rastrelliere telescopiche consentono di installare e rimuovere facilmente i vassoi e il ripiano metallico.

Quando si usa il vassoio e il ripiano metallico con le rastrelliere telescopiche, assicurarsi che i perni della sezione posteriore della rastrelliera telescopica siano contro i bordi di grill metallico e vassoio.



Si consiglia di non utilizzare vassoi e griglie a contatto diretto con gli alimenti.

Specifiche tecniche

GENERALE	
Dimensioni esterne (altezza/larghezza/profondità)	850 mm/500 mm/500 mm
Tensione/frequenza	220-230 V ~ 50 Hz
Fusibile	min. 6 A
Tipo/sezione cavo	min.H05W-FG 3 x 0,75 mm ²
Categoria di prodotto a gas	II 2H3B/P / II 2H3+
Tipo di gas/pressione	NG G 20/20 mbar
Consumo totale gas	9.5 kW
Conversione del tipo di gas/pressione ^S	LPG G 30/28-30 mbar
— opzionale	Propano 31/37 mbar
PIANO COTTURA	
Bruciatori	
Sinistra posteriore	Bruciatore normale
Energia	2.0 kW
Sinistra anteriore	Bruciatore ausiliario
Energia	1.0 kW
Destra anteriore	Bruciatore rapido
Energia	2.5 kW
Destra posteriore	Bruciatore normale
Energia	2.0 kW
FORNO	
Forno principale	Forno a gas
Lampadina interna	15-25 W
Consumo gas del forno	2.0 kW



Le specifiche tecniche potrebbero essere modificate senza preavviso per migliorare la qualità del prodotto.



Le figure in questo manuale sono schematiche e potrebbero non corrispondere esattamente al prodotto.






I valori dichiarati sulle etichette del prodotto o nella documentazione che lo accompagna si ottengono in condizioni di laboratorio secondo gli standard relativi. A seconda delle condizioni di funzionamento e ambientali del prodotto, questi valori potrebbero variare.

Tabella iniettori

Posizione del piano cottura	2.0 kW Sinistra posteriore	1.0 kW Sinistra anteriore	2.5 kW Destra anteriore	2.0 kW Destra posteriore
Tipo di gas/pressione del gas				
G 20/20 mbar	103	72	125	103
G 30/28-30 mbar	72	50	80	72
G 31/ 37 mbar	72	50	80	72
Tipo di gas/pressione del gas	Forno a gas			
G 20/20 mbar	105			
G 30/28-30 mbar	71			
G 31/ 37 mbar	71			

3 Installazione

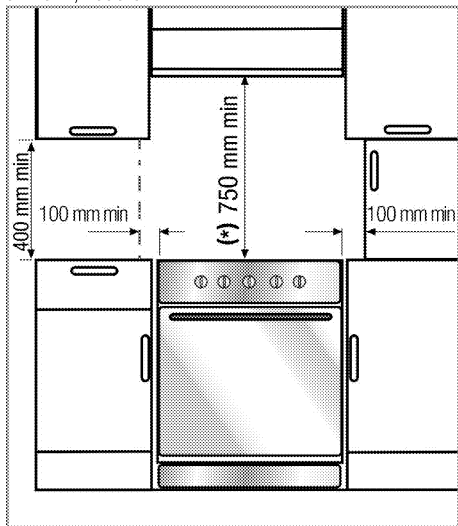
Il prodotto deve essere installato da una persona qualificata secondo i regolamenti in vigore. Altrimenti la garanzia non sarà valida. Il produttore non sarà considerato responsabile dei danni derivanti da procedure eseguite da persone non autorizzate e potrebbe considerare non valida la garanzia.

	La preparazione della posizione e l'installazione elettrica e del gas per il prodotto è responsabilità del cliente.
	PERICOLO: Il prodotto deve essere installato secondo i regolamenti locali per il gas e/o elettrici.
	PERICOLO: Prima dell'installazione, controllare visivamente se il prodotto presenta difetti. Se è così, non installarlo. Prodotti danneggiati provocano rischi per la sicurezza.

Prima della installazione

Per assicurare di mantenere importanti aperture per l'aria sotto all'apparecchio, consigliamo che l'apparecchio stesso sia montato su una base solida e che i piedini non siano posti in un tappeto o coperture morbide del pavimento.

Il pavimento della cucina deve essere in grado di portare il peso dell'apparecchio più il peso aggiuntivo di pentole e accessori per la cottura al forno e degli alimenti; vedere .



- Si può usare con alloggiamenti su entrambi i lati ma per avere una distanza minima di 400 mm al di sopra del livello della piastra calda, consentire una distanza laterale di 65mm tra l'apparecchio e pareti, tramezzi o mobili alti.
- Si può usare anche in posizione free standing. Consentire una distanza minima di 750 mm sulla superficie del piano cottura.
- (*) Se la cappa deve essere installata sopra al piano cottura, vedere le istruzioni del produttore della cappa sull'altezza dell'installazione (min 650 mm).
- L'apparecchio corrisponde ad un dispositivo di classe 1, cioè può essere posto con il lato posteriore e un lato verso le pareti della cucina, i mobili della cucina o apparecchiature di qualsiasi dimensione. I mobili della cucina o le apparecchiature sull' **altro** lato possono essere solo della stessa dimensione o più piccoli.
- Tutti i mobili della cucina vicino all'apparecchio devono essere resistenti al calore (100 °C min.).

Ventilazione ambiente

Tutti gli ambienti richiedono una finestra apribile o equivalente, e alcune stanze richiedono anche un'apertura fissa. L'aria per la combustione viene presa dall'aria dell'ambiente e i gas di scarico sono emessi direttamente nell'ambiente. Una buona ventilazione è essenziale per il funzionamento sicuro dell'apparecchio.

Ambienti con porte e/o finestre che si aprono direttamente verso l'ambiente esterno

Le porte e/o le finestre che si aprono direttamente verso l'ambiente esterno devono avere una apertura di ventilazione totale delle dimensioni specificate nella tabella che segue, che si basa sulla potenza totale del gas dell'apparecchio (il consumo totale di gas dell'apparecchio è mostrato nella tabella con le specifiche tecniche di questo manuale utente). Se le porte e/o le finestre non hanno un'apertura per la ventilazione totale corrispondente al consumo totale di gas dell'apparecchio specificata nella tabella che segue, deve esserci obbligatoriamente una apertura fissa aggiuntiva per la ventilazione dell'ambiente in modo da assicurare che i requisiti di ventilazione minima totale per il consumo di gas totale siano rispettati. L'apertura fissa per la ventilazione può includere aperture per mattoni forati esistenti, dimensione del condotto della cappa, ecc.

Consumo totale gas (kW)	Apertura min. di ventilazione (cm ²)
0-2	100
2-3	120
3-4	175
4-6	300
6-8	400
8-10	500
10-11,5	600
11,5-13	700
13-15,5	800
15,5-17	900
17-19	1000
19-24	1250

Ambienti che non hanno porte e/o finestre che si aprono direttamente verso l'ambiente esterno

Se l'ambiente in cui l'apparecchio è installato non ha una porta e/o una finestra che si apre direttamente verso l'ambiente esterno, bisogna cercare altri prodotti che garantiscano con certezza una apertura fissa per la ventilazione che non possa essere regolata né chiusa, conforme ai requisiti minimi per la ventilazione totale per il consumo totale di gas dell'apparecchio, secondo quanto indicato nella tabella sopra. Bisogna seguire anche i requisiti previsti dalle norme appropriate per l'edilizia.


Se una stanza o uno spazio interno contiene più di un apparecchio a gas, un'area aggiuntiva per la ventilazione deve essere garantita come requisito fondamentale della tabella suddetta. La grandezza dell'area aggiuntiva per la ventilazione deve essere appropriata alle norme relative agli altri apparecchi a gas.

Ci deve anche essere una distanza minima di 10 mm dal bordo inferiore della porta che si apre sull'ambiente interno della stanza in cui viene installato l'apparecchio. Bisogna assicurare che oggetti, come tappeti e altre coperture per il pavimento, non intacchino la distanza quando la porta è chiusa. Il piano cottura può essere posizionato in cucina, in cucina/sala da pranzo o in una camera da letto ma non in un ambiente che contenga una vasca o una doccia. Il piano cottura non deve essere installato in una camera da letto di meno di 20 m.³.

Non installare questo apparecchio in un ambiente sottoterra a meno che non sia aperto all'aria da almeno un lato.

Installazione e collegamento

L'unità può essere installata e collegata solo secondo le norme legali sulla installazione.



Non installare l'apparecchio vicino ad un frigorifero o congelatore. Il calore emesso dall'apparecchio porta ad un accresciuto consumo energetico da parte delle unità di raffreddamento.

- Trasportare l'unità con almeno due persone.
- L'unità deve essere posta direttamente sul pavimento. Non deve essere messa su una base o un piedistallo.




Non usare sportello e/o maniglia per portare o spostare il prodotto. Sportello, maniglia o cerniere si danneggiano.

Collegamento elettrico

Collegare il prodotto ad una presa messa a terra/linea protetta da un mini interruttore di circuito della capacità adatta, dichiarata nella tabella "Specifiche tecniche". Far eseguire la messa a terra da un elettricista qualificato quando si usa il prodotto con o senza un trasformatore. La nostra azienda non sarà responsabile di danni derivanti dall'uso del prodotto senza una installazione di messa a terra conforme ai regolamenti locali.



PERICOLO:
L'apparecchio deve essere collegato alla rete elettrica solo da una persona autorizzata e qualificata. Il periodo di garanzia dell'apparecchio comincia solo dopo la corretta installazione. Il produttore non sarà considerato responsabile dei danni derivanti da procedure eseguite da persone non autorizzate.





PERICOLO:
Il cavo di alimentazione non deve essere schiacciato, piegato o bloccato né deve venire in contatto con le parti calde dell'apparecchio. Un cavo di alimentazione danneggiato deve essere sostituito da un elettricista qualificato. Altrimenti c'è rischio di shock elettrico, cortocircuito o incendio!

I dati sull'alimentazione di rete devono corrispondere ai dati specificati sull'etichetta con il tipo dell'unità. La piastra con i valori nominali si vede quando lo sportello o il coperchio inferiore sono aperti o si trova sulla parete posteriore dell'unità, a seconda del tipo di modello.

Il cavo di alimentazione dell'unità deve essere conforme ai valori della tabella "Technical specifications" (specifiche tecniche).


 Il cavo di alimentazione deve essere facilmente raggiungibile dopo l'installazione (non farlo correre sopra al piano cottura).


 Mentre si esegue il cablaggio, bisogna applicare le normative nazionali/locali ed utilizzare la linea/uscita per la presa e la spina appropriate per il forno. Se i limiti di alimentazione dell'apparecchio sono al di fuori della capacità di spina e uscita/linea della presa, l'apparecchio deve essere collegato direttamente attraverso una installazione elettrica fissa senza utilizzare spina e uscita/linea della presa.

 **PERICOLO:**
Prima di cominciare un lavoro sull'installazione elettrica, scollegare il prodotto dall'alimentazione di rete.
C'è il rischio di shock elettrico!


Inserire il cavo di alimentazione nella presa.

Collegamento del gas

 **PERICOLO:**
L'apparecchio può essere collegato al sistema di alimentazione del gas solo da una persona autorizzata e qualificata.
Rischio di esplosioni o intossicazione a causa di riparazioni non professionali!
Il produttore non sarà considerato responsabile dei danni derivanti da procedure eseguite da persone non autorizzate.


 **PERICOLO:**
Prima di avviare un lavoro sulla installazione del gas, scollegare l'alimentazione del gas.
C'è il rischio di esplosione!

- Condizioni di regolazione e valori del gas sono presenti sulle etichette (o sull'etichetta tipo ioni).

 L'apparecchio è impostato per gas naturale (GN).

- L'installazione con gas naturale deve essere predisposta prima di installare l'unità.
- Ci deve essere un tubo flessibile all'uscita dell'installazione per il collegamento del gas naturale dell'unità e la punta di questo tubo deve essere chiusa con un tappo. Il rappresentante dell'assistenza rimuove il tappo durante il collegamento e collega l'unità mediante un dispositivo di collegamento diretto (accoppiamento).
- Assicurarsi che la valvola di gas naturale sia subito accessibile.


- Se è necessario usare in seguito l'apparecchio con un tipo diverso di gas, bisogna consultare l'agente autorizzato per l'assistenza per la relativa procedura di conversione.

 **PERICOLO:**
Il flessibile del gas non deve essere schiacciato, piegato o bloccato né deve venire in contatto con le parti calde dell'apparecchio. C'è il rischio di esplosione a causa del flessibile del gas danneggiato.


- Spingere l'apparecchio verso la parete della cucina.
- **Regolazione dei piedini del forno**
Vibrazioni durante l'uso possono provocare lo spostamento dei contenitori della cucina. Questa situazione pericolosa può essere evitata se l'apparecchio è piano ed equilibrato. Per la propria sicurezza, è bene assicurarsi che l'apparecchio sia piano regolando i quattro piedini sul fondo ruotando verso sinistra o destra e allineando con il piano di lavoro.

Controllo finale

1. Aprire la fornitura del gas.
2. Controllare le installazioni del gas per montaggio e tenuta sicuri.
3. Accendere i bruciatori e controllare l'aspetto della fiamma.

 La fiamma deve essere blu e avere una forma regolare. Se la fiamma tende al giallo, controllare se il coperchio del bruciatore è posizionato in modo sicuro o pulire il bruciatore.

Conversione del gas

 **PERICOLO:**
Prima di avviare un lavoro sulla installazione del gas, scollegare l'alimentazione del gas.
C'è il rischio di esplosione!

Per cambiare il tipo di gas del proprio apparecchio, cambiare tutti gli iniettori ed eseguire la regolazione della fiamma per tutte le valvole in posizione di flusso ridotto.

Cambiare l'iniettore dei bruciatori

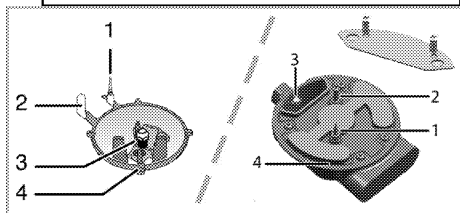
1. Estrarre la copertura e il corpo del bruciatore.
2. Svitare gli iniettori ruotandoli in senso antiorario.
3. Montare nuovi iniettori.
4. Controllare tutte le connessioni per montaggio e tenuta sicuri.



I nuovi iniettori hanno la loro posizione contrassegnata sulla confezione o *Tabella iniettori*, pagina 13 si può vedere la tabella degli iniettori.



((Varia a seconda del modello dell'apparecchio.))
Sui bruciatori di alcuni piani cottura l'iniettore è coperto da una parte in metallo. Questa copertura in metallo deve essere rimossa per sostituire l'iniettore.



- 1 Dispositivo di assenza fiamma (a seconda del modello)
- 2 Candela di accensione
- 3 Iniettore
- 4 Bruciatore



A meno che non vi siano condizioni anomale, non cercare di rimuovere i rubinetti del bruciatore a gas. Bisogna chiamare l'agente autorizzato per l'assistenza se è necessario cambiare i rubinetti.

Impostazione ridotta del flusso di gas per i rubinetti del piano cottura

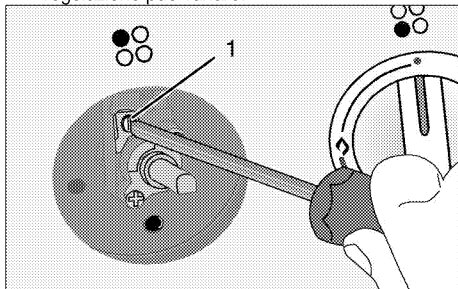
1. Accendere il bruciatore da regolare e portare la manopola in posizione ridotta.
2. Rimuovere la manopola dal rubinetto del gas.
3. Usare un cacciavite della dimensione giusta per regolare la vite di regolazione del flusso.

Per GPL (Butano - Propano) ruotare la vite in senso orario. Per il gas naturale, bisogna ruotare la vite in **senso antiorario** una volta.

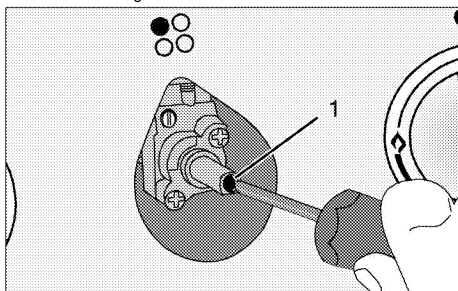
» La lunghezza normale di una fiamma diritta in posizione ridotta deve essere 6-7 mm.

4. Se la fiamma è più alta della posizione desiderata, ruotare la vite in senso orario. Se è più bassa, ruotarla in senso antiorario.
5. Per l'ultimo controllo, portare il bruciatore in posizione con fiamma alta e ridotta e controllare se la fiamma è presente o meno.

6. In base al tipo di rubinetto del gas usato nell'apparecchio, la posizione della vite di regolazione può variare.



- 1 Vite di regolazione del flusso

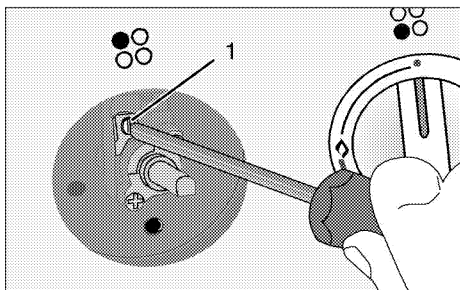


- 1 Vite di regolazione del flusso

Regolazione di flusso ridotto per il forno a gas

Per un funzionamento appropriato del forno, ricontrollare la regolazione di by-pass è estremamente importante. Per fornire una sicurezza massima all'utente, queste operazioni devono essere fatte con attenzione.

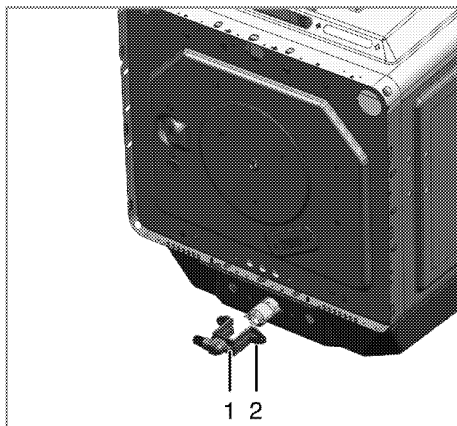
1. Accendere il bruciatore da regolare e portare la manopola in posizione alta della fiamma.
2. Chiudere lo sportello del forno ed attendere da 10 a 15 minuti finché il forno diventa pronto per la regolazione.
3. Estrarre la manopola.
4. Dopo 15 minuti, regolare il forno alla posizione più bassa della fiamma.



5. Impostare la lunghezza della fiamma da 2 a 3 mm con la vite 7 sul termostato del forno. Ruotando la vite in senso orario, si riduce la fiamma e ruotandola in senso antiorario, si accresce la fiamma.

i Se la portata del gas di forno non può essere impostato con la rimozione di manopola, si prega di rimuovere le parti del forno necessarie (pannello di controllo, bruciatore piatto ecc) e quindi impostare la portata del gas di forno.

i Se la temperatura del forno aumenta in modo accidentale, spegnere il forno e chiamare l'assistenza autorizzata per far riparare il termostato del forno.

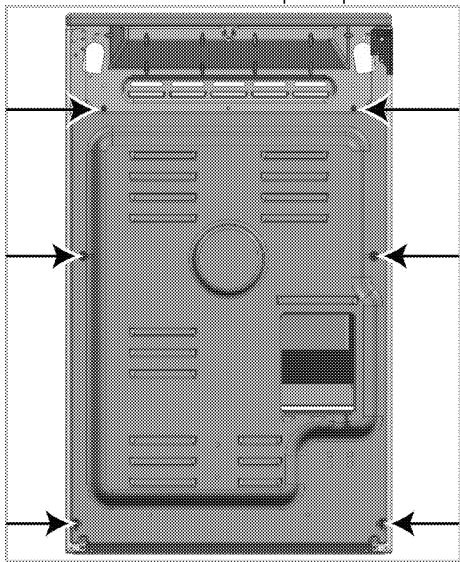


- 1 Supporto iniettore
- 2 Vite
3. Estrarre il supporto dell'iniettore.
4. Svitare l'iniettore ruotandolo in senso antiorario.
5. Montare un nuovo iniettore.

i Se il tipo di gas dell'unità è cambiato, allora anche la piastra con i valori nominali che mostra il tipo di gas dell'unità deve essere cambiata.

Cambiare l'iniettore del forno

1. Svitare le viti di tenuta della parete posteriore.



2. Svitare le 2 viti (2) del supporto dell'iniettore (1).

Butano/propano	Gas naturale
Stringere la vite fino alla fine	Allentare la vite
	1/2 giro
	

4 Preparazioni

Consigli per il risparmio energetico

Le informazioni che seguono aiutano ad usare l'apparecchio in modo ecologico e a risparmiare energia:

- Usare coperchi di colori scuri e smaltati, poiché la trasmissione del calore è migliore.
- Quando si cucinano gli alimenti, eseguire un'operazione di preriscaldamento se è consigliato nel manuale utente o nelle istruzioni della cottura.
- Non aprire lo sportello del forno di frequente durante la cottura.
- Cercare di cucinare più di un piatto alla volta nel forno laddove possibile. Si può cucinare mettendo due contenitori per la cottura sul grill metallico.
- Cucinare più di un piatto uno dopo l'altro. Il forno è già caldo.
- Scongelare gli alimenti congelati prima di cuocerli.
- Usare pentole/padelle con coperchi per la cottura. Se non vi è coperchio, il consumo energetico può aumentare 4 volte.
- Selezionare il bruciatore adatto per la dimensione del fondo della pentola da usare. Selezionare sempre la dimensione corretta della pentola per i piatti. Pentole più grandi richiedono più energia.

Uso iniziale

Prima pulizia del prodotto



La superficie può danneggiarsi a causa di alcuni detergenti o materiali di pulizia.

Non usare detergenti aggressivi, polvere/creme pulenti o oggetti taglienti durante la pulizia.

1. Rimuovere tutti i materiali di imballaggio.
2. Pulire le superfici del prodotto con un panno o una spugna umidi e asciugare con un panno.

Riscaldamento iniziale

Riscaldare il prodotto per circa 30 minuti e poi spegnerlo. Così i residui del prodotto o gli strati si bruciano e si rimuovono.



ATTENZIONE

Le superfici calde provocano ustioni!
Il prodotto può diventare caldo durante l'uso. Non toccare mai i bruciatori caldi, le sezioni interne del forno, riscaldatori, ecc. Tenere lontani i bambini.
Usare sempre guanti resistenti al calore quando si mettono o si rimuovono i piatti nel/dal forno caldo.

Forno a gas

1. Estrarre tutti i vassoi per la cottura a forno e il grill metallico dal forno.
2. Chiudere lo sportello del forno.
3. Selezionare la fiamma più alta del forno a gas; vedere *Come utilizzare il forno a gas, pagina 22*.
4. Utilizzare il forno per circa 30 minuti.
5. Spegnerne il forno; vedere *Come utilizzare il forno a gas, pagina 22*



Durante il primo funzionamento, per un paio d'ore, è possibile che siano emessi odori e fumo. È abbastanza normale. Assicurarsi che l'ambiente sia ben ventilato per rimuovere fumo e odori. Evitare di inalare direttamente fumo e odori emessi.

5 Come utilizzare il piano cottura

Informazioni generali sulla cottura



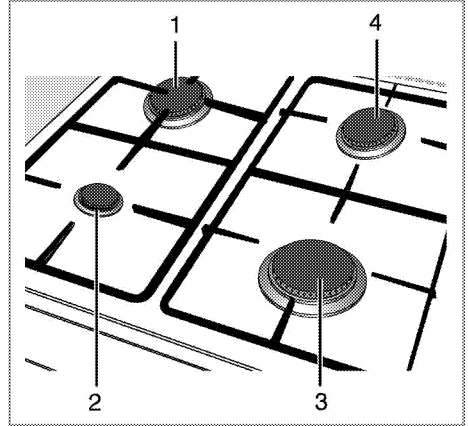
Non riempire mai la padella con olio per oltre un terzo. Non lasciare il piano cottura incustodito quando si riscalda l'olio. L'olio surriscaldato rappresenta un rischio di incendio. **Non cercare mai di spegnere un possibile incendio con l'acqua!** Quando l'olio prende fuoco, coprirlo con una coperta idonea o un panno umido. Spegnere il piano cottura se è sicuro farlo e chiamare i vigili del fuoco.

- Prima di friggere gli alimenti, asciugarli bene sempre e metterli delicatamente nell'olio caldo. Assicurare che gli alimenti congelati siano completamente scongelati prima di friggerli.
- Non coprire il contenitore usato quando si riscalda l'olio.
- Mettere pentole e padelle in modo tale che i manici non siano sul piano cottura per evitare il riscaldamento dei manici stessi. Non mettere contenitori sbilanciati e che si inclinano facilmente sul piano cottura.
- Non mettere contenitori e padelle vuoti sulle zone di cottura accese. Potrebbero danneggiarsi.
- L'uso di una zona di cottura senza un contenitore o una padella sopra provoca danni all'apparecchio. Spegnere le zone di cottura quando la cottura è completa.
- Poiché la superficie dell'apparecchio potrebbe essere calda, non mettere contenitori in plastica e alluminio su di essa.
Tali contenitori non devono essere nemmeno usati per conservare gli alimenti.
- Usare solo padelle o contenitori con fondo piatto.
- Mettere la quantità appropriata di alimenti nelle pentole e nelle padelle. Così non bisognerà eseguire alcuna operazione di pulizia non necessaria evitando traboccamenti.
Non mettere coperchi di pentole o padelle sulle zone di cottura.
Mettere le padelle in modo tale che siano al centro della zona di cottura. Quando si desidera spostare la padella su un'altra zona di cottura, sollevarla e metterla sulla zona di cottura scelta, non trascinarla.

Cottura a gas

- La dimensione del contenitore e la fiamma devono corrispondere. Regolare la fiamma del gas in modo che non superi il fondo del contenitore e centrare il contenitore sul poggia pentola.

Uso del piano cottura



- 1 Bruciatore normale 18-20 cm
- 2 Bruciatore ausiliario 12-16 cm
- 3 Bruciatore rapido 20-22 cm
- 4 Bruciatore normale 18-20 cm è il diametro consigliato per le pentole da usare sui relativi bruciatori.

Il simbolo della fiamma grande indica la massima potenza di cottura e il simbolo della fiamma piccola indica la cottura più bassa. In posizione off (superiore), il gas non è inviato ai bruciatori.

Accensione dei bruciatori a gas



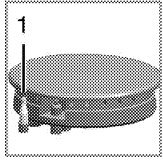
I bruciatori a gas sono accesi con i pulsanti di accensione.

1. Tenere premuta la manopola del bruciatore.
2. Ruotarla in senso antiorario fino al simbolo della fiamma grande.
3. Premere e rilasciare il pulsante di accensione. Ripetere la procedura finché il gas rilasciato viene acceso.
4. Regolare secondo la potenza di cottura desiderata.

Spegnimento dei bruciatori a gas

Portare la manopola della zona per tenere in caldo nella posizione off (superiore).

Sistema di sicurezza di disattivazione del gas (nei modelli con componente termico)



1. Disattivazione di sicurezza del gas

Come contromisura di eventuali scoppi dovuti al traboccamento di liquidi sui bruciatori, si innesca un meccanismo di sicurezza e il gas viene disattivato.

- Premere la manopola e ruotare in senso antiorario per accendere.
- Quando il gas si accende, tenere la manopola premuta per 3-5 secondi ancora per impegnare il sistema di sicurezza.
- Se il gas non si accende dopo aver premuto e rilasciato la manopola, ripetere la stessa procedura tenendo la manopola premuta per 15 secondi.



PERICOLO:

Rilasciare il tasto se il bruciatore non è acceso entro 15 secondi. Aspettare almeno 1 minuto prima di riprovare. C'è il rischio di accumulo di gas ed esplosione!

6 Come utilizzare il forno

Informazioni generali su cottura al forno, cottura arrosto



ATTENZIONE

Le superfici calde provocano ustioni!
Il prodotto può diventare caldo durante l'uso.
Non toccare mai i bruciatori caldi, le sezioni interne del forno, riscaldatori, ecc. Tenere lontani i bambini.

Usare sempre guanti resistenti al calore quando si mettono o si rimuovono i piatti nel/dal forno caldo.



PERICOLO:

Prestare attenzione quando si apre lo sportello del forno perché potrebbe fuoriuscire vapore.
Il vapore in uscita può ustionare mani, volto e/o occhi.

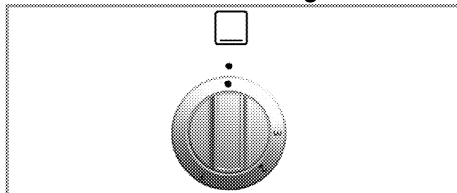
Suggerimenti per la cottura al forno

- Usare piatti in metallo con adeguato rivestimento antiaderente o contenitori in alluminio o stampi in silicone resistenti al calore.
- Usare al meglio lo spazio della rastrelliera.
- Mettere lo stampo da forno al centro della rastrelliera.
- Selezionare la posizione corretta per la rastrelliera prima di accendere forno o grill. Non cambiare la posizione della rastrelliera quando il forno è caldo.
- Tenere lo sportello del forno chiuso.

Suggerimenti per l'arrosto

- Trattare pollo e tacchino interi, pezzi grandi di carne con condimenti come succo di limone e pepe nero prima della cottura migliora la prestazione di cottura.
- Ci vogliono circa 15-30 minuti in più per arrostito la carne con osso rispetto alla cottura arrosto di carne della stessa dimensione ma senza osso.
- Ogni centimetro di spessore della carne richiede circa 4-5 minuti di cottura.
- Lasciare la carne nel forno per circa 10 minuti dopo il periodo di cottura. Il succo si distribuisce meglio per tutto l'arrosto e non fuoriesce quando si taglia la carne.
- Il pesce deve essere posto sulla rastrelliera centrale o inferiore in un piatto resistente al calore.

Come utilizzare il forno a gas



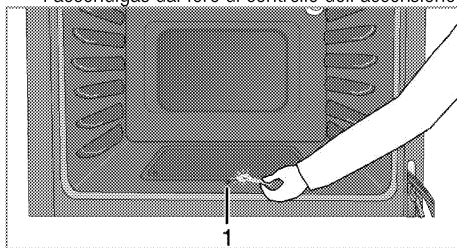
Il forno a gas si aziona con la manopola di controllo del forno a gas. In posizione off (superiore) l'alimentazione di gas è disattivata.

Il forno a gas si aziona con la manopola di controllo del forno a gas. In posizione off (superiore) l'alimentazione di gas è disattivata.

Accensione del forno a gas

Il forno a gas si accende con il tasto di accensione.

1. Aprire lo sportello del forno.
2. Tenere la manopola di controllo del gas premuta e ruotarla **in senso antiorario**.
3. Premere il tasto di accensione e rilasciarlo.
4. Tenere la manopola gas oven control (controllo del forno a gas) premuta per 3 - 5 secondi.
» Ripetere il processo finché il gas viene acceso.
5. Tenere la manopola di controllo del gas premuta per altri 3 - 5 secondi. Assicurarsi che il gas si sia acceso e che la fiamma sia presente.
6. Selezionare forza di cottura/segno del gas desiderati.
7. Se non c'è elettricità, accendere il gas con l'accendigas dal foro di controllo dell'accensione.



1 Foro di controllo dell'accensione

**PERICOLO:**

C'è il rischio di compressione di gas ed esplosione!

Non cercare di accendere il gas per oltre 15 secondi. Se il bruciatore non si accende entro 15 secondi, chiudere la manopola e aspettare 1 minuto. Ventilare l'ambiente prima di cercare di accendere di nuovo il bruciatore. In caso di mancato rispetto delle operazioni sopra indicate ci potrebbe essere rischio di compressione di gas ed esplosione.

Spegnimento del forno a gas

1. Ruotare la manopola di controllo del forno a gas in posizione off (alta).

Livello di gas vuol dire:

Livello di gas	1	2	3
°C			

Cottura al forno e arrosto

Alimenti	Preriscaldamento *	Livello di inserimento	Posizione manopola di controllo	Tempo di cottura
Torta di mele	10 min.	4..5	1	25..30 min.
Torta alla frutta	10 min.	4..5	1	25..35 min.
Torta	10 min.	3..4	1	30..40 min.
Biscotti	10 min.	4..5	1	25..35 min.
Pasta	10 min.	5	1	35..45 min.
Torta	10 min.	3	1	30..40 min.
Biscotti	—	4..5	1	20..30 min.
Arrosto di agnello	10 min.	4..5	1	35..45 min. per 450 g 30 min.
Arrosto di manzo	10 min.	2	1	50..60 min. per 450 g 30 min.
Tacchino	10 min.	3..4	1	50..60 min. per 450 g 30 min.
Pollame	10 min.	3..4	1	30..40 min. per 450 g +25 min.
In casseruola	—	4	1	90..120 min. ^s
Pesce	10 min.	3	1	35..45 min.
Pasta	10 min.	3..4	1	35..40 min.
Dolcetti	10 min.	4	1	30..35 min.
Victoria sandwich	10 min.	3	1	22..28 min.

* manopola di controllo in posizione 2 / ^s a seconda della quantità / ^a a seconda della dimensione

Tabella tempi di cottura

La prima rastrelliera del forno è quella di fondo.



Carico massimo del vassoio del forno: 4 kg (8,8 lb).



I tempi in questo diagramma devono essere considerati una guida. I tempi possono variare a causa di temperatura degli alimenti, spessore, tipo e preferenze personali di cottura.

Mettere i piatti su un foglio di carta da forno per evitare schizzi sulla base del forno e aiutare a mantenere il forno pulito.

7 Manutenzione e cura

Informazioni generali

La vita di servizio dell'apparecchio si allunga e problemi frequenti diminuiscono se l'apparecchio è pulito ad intervalli regolari.



PERICOLO:

Scollegare l'apparecchio dalla rete elettrica prima di avviare i lavori di manutenzione e pulizia.

C'è il rischio di shock elettrico!



PERICOLO:

Consentire all'apparecchio di raffreddarsi prima di pulirlo.

Le superfici calde possono provocare ustioni!

- Pulire completamente l'apparecchio dopo ogni uso. In questo modo sarà possibile rimuovere i residui di cottura con maggiore facilità, evitando così che questi residui brucino all'uso successivo dell'apparecchio.
- Non sono necessari agenti di pulizia speciali per la pulizia dell'apparecchio. Usare acqua calda con detersivo liquido, un panno morbido o una spugna per pulire l'apparecchio e asciugare con un panno asciutto.
- Assicurare sempre che il liquido in eccesso sia completamente asciugato dopo la pulizia e che tutti gli schizzi siano immediatamente asciugati.
- Non usare agenti di pulizia che contengono acido o cloro per pulire le superfici e la maniglia in acciaio inox. Usare un panno morbido con un detergente liquido (non abrasivo) per pulire queste parti, prestando attenzione a pulire in un'unica direzione.
- **(Questa funzione è opzionale. Potrebbe non essere sul prodotto acquistato).**
Non usare raschietti solidi in metallo o materiali di pulizia abrasivi per pulire la copertura in vetro. La superficie in vetro può danneggiarsi.



La superficie può danneggiarsi a causa di alcuni detersivi o materiali di pulizia.

Non usare detersivi aggressivi, polvere/creme pulenti o oggetti taglienti durante la pulizia.



Non usare pulitori a vapore per pulire l'apparecchio poiché ciò potrebbe provocare uno shock elettrico.

Pulizia del piano cottura

Piano cottura a gas

1. Rimuovere e pulire i poggiapentola e le coperture dei bruciatori.
2. Pulire il piano cottura.
3. Installare le coperture dei bruciatori e assicurarsi che siano posizionati correttamente.
4. Quando si installano i grill superiori, prestare attenzione a posizionare i poggiapentola in modo che i bruciatori siano al centro.

Pulizia del pannello di controllo

Pulire pannello di controllo e le manopole con un panno umido e asciugare.



Non rimuovere tasti/manopole per pulire il pannello di controllo.

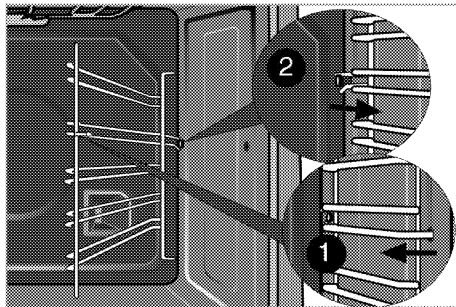
Il pannello di controllo può danneggiarsi!

Pulizia del forno

Per pulire la parete laterale

(Questa funzione è opzionale. Potrebbe non essere sul prodotto acquistato).

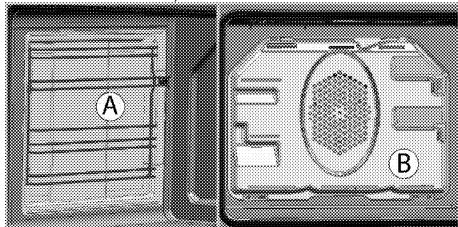
1. Rimuovere la sezione anteriore della rastrelliera laterale tirando nella direzione opposta alla parete laterale.
2. Rimuovere completamente la rastrelliera laterale tirando verso di sé.



Pareti catalitiche

(Questa funzione è opzionale. Potrebbe non essere sul prodotto acquistato).

Le pareti laterali interne (A) e/o la parete posteriore (B) dell'apparecchio potrebbero essere rivestite di smalto catalitico. Le pareti catalitiche hanno un colore opaco chiaro e una superficie porosa. Le pareti catalitiche del forno non devono essere pulite. Le superfici porose delle pareti catalitiche sono pulite automaticamente assorbendo e convertendo l'olio versato (vapore e biossido di carbonio).



Pulire lo sportello del forno

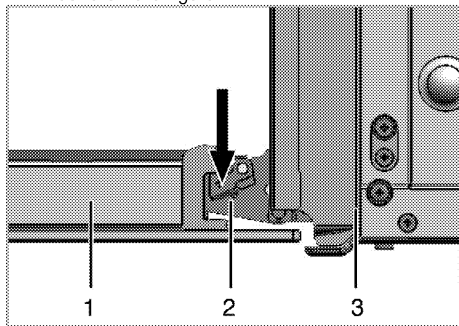
Per pulire lo sportello del forno, usare acqua calda con detersivo liquido, un panno morbido o una spugna per pulire l'apparecchio e asciugare con un panno asciutto.



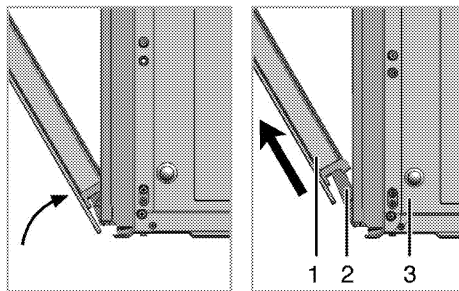
Non usare detersivi molto abrasivi o raschietti in metallo tagliente per la pulizia dello sportello del forno. Essi potrebbero graffiare la superficie e distruggere il vetro.

Rimozione dello sportello del forno.

1. Aprire lo sportello anteriore (1).
2. Aprire i morsetti dell'alloggiamento della cerniera (2) sul lato destro e su quello sinistro dello sportello anteriore premendoli verso il basso come illustrato nella figura.



- 1 Sportello anteriore
- 2 Cardine
- 3 Forno



3. Spostare lo sportello anteriore a metà.
4. Rimuovere lo sportello anteriore tirandolo verso l'alto per farlo uscire dai cardini destro e sinistro.



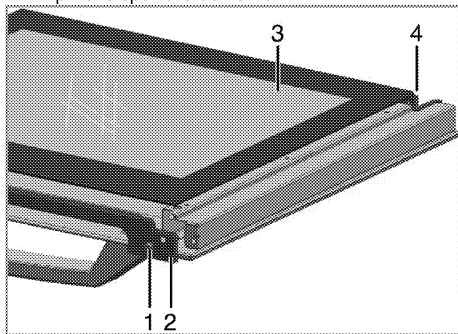
I punti eseguiti durante il processo di rimozione devono essere eseguiti al contrario per installare lo sportello. Non dimenticare di chiudere i morsetti dell'alloggiamento del cardine quando si reinstalla lo sportello.

Rimozione del vetro interno dello sportello

(Questa funzione è opzionale. Potrebbe non essere sul prodotto acquistato).

Il pannello interno in vetro dello sportello del forno può essere rimosso per la pulizia.

1. Aprire lo sportello del forno.



- 1 Vite
 - 2 Profilo
 - 3 Pannello interno in vetro
 - 4 Apertura in plastica
2. Estrarre la vite (1) con un cacciavite
 3. Estrarre il profilo (2), poi tenere sollevato verso il vetro interno (3).
 4. Poi rimontare lo sportello, mettere il pannello in vetro (3) nelle aperture di plastica (4) e montare il profilo.

Sostituzione della lampadina del forno



PERICOLO:

Prima di sostituire la lampadina del forno, assicurarsi che l'apparecchio sia scollegato dalla rete e sia freddo per evitare il rischio di shock elettrico.

Le superfici calde possono provocare ustioni!



La lampadina del forno è una lampadina elettrica speciale che può resistere fino a 300 °C. Vedere *Specifiche tecniche, pagina 13* per dettagli. Le lampadine del forno possono essere acquistate presso l'agente autorizzato per l'assistenza.



La posizione della lampadine può variare dalla figura.



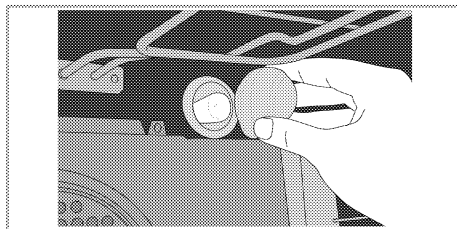
Le lampadine utilizzate in questo apparecchio non sono adatte per l'illuminazione di ambienti domestici. Lo scopo previsto di questa lampadina è aiutare l'utente a controllare gli alimenti.



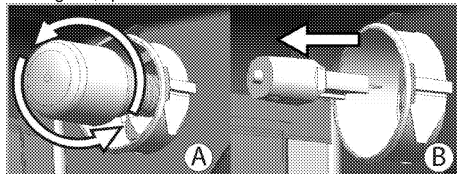
Le lampadine utilizzate in questo apparecchio devono sopportare condizioni fisiche estreme come temperature superiori a 50 °C.

Se il forno è dotato di una lampadina rotonda:

1. Scollegare il prodotto dalla rete.
2. Ruotare la copertura in vetro in senso orario per rimuoverla.



3. Se la lampadina del forno corrisponde al tipo (A) mostrato nella figura seguente, rimuoverla ruotando secondo le indicazioni e sostituirla. Se è di tipo (B), tirare e rimuoverla come indicato in figura, quindi sostituirla.



4. Installare il coperchio in vetro.

8 Ricerca e risoluzione dei problemi

Il forno emette vapore durante l'uso.

- Si tratta del normale vapore che si produce durante il funzionamento. >>> *Non è guasto.*

L'apparecchio emette rumori metallici durante riscaldamento e raffreddamento.

- Quando le parti di metallo si riscaldano, possono espandersi e provocare rumori. >>> *Non è guasto.*

Non c'è la scintilla di accensione.

- Corrente assente. >>> *Controllare i fusibili nella scatola dei fusibili.*

Non c'è gas.

- La valvola principale del gas è chiusa. >>> *Aprire la valvola del gas.*
- Il tubo del gas è piegato. >>> *Installare correttamente il tubo del gas.*

I bruciatori non funzionano bene o non funzionano affatto.

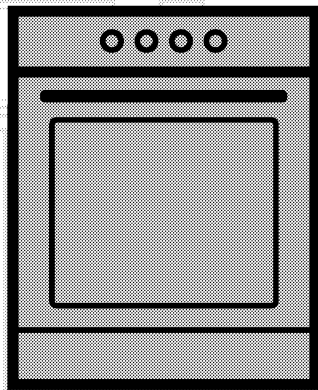
- I bruciatori sono sporchi. >>> *Pulire i componenti dei bruciatori.*
- I bruciatori sono bagnati. >>> *Asciugare i componenti dei bruciatori.*
- Il coperchio del bruciatore non è montato in modo sicuro. >>> *Montare correttamente il coperchio del bruciatore.*
- La valvola del gas è chiusa. >>> *Aprire la valvola del gas.*
- Il cilindro del gas è vuoto (quando si usa GPL). >>> *Sostituire il cilindro del gas.*



Consultare l'agente autorizzato per l'assistenza o il rivenditore dove è stato acquistato l'apparecchio se non si riesce a risolvere il problema nonostante siano state implementate le soluzioni di questa sezione. Non cercare mai di riparare da soli un apparecchio difettoso.

Viryklė

Vartotojo vadovas



LT

beko

Pirmiausia įdėmiai perskaitykite šį vartotojo vadovą!

Gerbiamas pirkėjų,

Ačiū, kad pasirinkote „Beko“ gaminį. Tikimės, kad šiuo gaminiu, kuris buvo pagamintas naudojantis aukščiausios kokybės moderniausių technologijų, liksite patenkinti. Todėl prieš naudojantis šiuo prietaisu prašome perskaityti visą šį vartotojo vadovą ir prie jo pridedamus dokumentus ir pasilikti juos, jei jų prireiktų ateityje. Jeigu atiduotumėte šį gaminį kam nors kitam, kartu atiduokite ir šį vartotojo vadovą. Vadovaukitės visais šiame vartotojo vadove pateikiamais įspėjimais ir informacija.

Atminkite, kad šis vartotojo vadovas taip pat taikytinas keletui kitų modelių. Šiame vadove nurodoma, kuo skiriasi įvairūs modeliai.

Simbolių paaiškinimas

Šiame vartotojo vadove naudojami šie simboliai:



Svarbi informacija arba naudingi patarimai apie šio prietaiso naudojimą.



Įspėjimai apie gyvybei ir / arba turtui pavojų keliančias situacijas ir sąlygas.



Įspėjimas dėl elektros smūgio.



Įspėjimas dėl gaisro pavojaus.



Įspėjimas dėl įkaitusių paviršių.



Arçelik A.Ş.
Karaağaç caddesi No:2-6
34445 Sultuçe/Istanbul/TURKEY
Made in TURKEY

1 Svarbūs nurodymai ir įspėjimai dėl saugos ir aplinkosaugos 4

Bendrieji saugos reikalavimai.....	4
Sauga atliekant dujų prijungimo darbus.....	4
Elektros sauga.....	5
Gaminio sauga.....	6
Numatytoji naudojimo paskirtis.....	8
Vaikų sauga.....	8
Seno gaminio išmetimas.....	9
Pakavimo medžiagų išmetimas.....	9
Būsimas transportavimas.....	9

2 Bendra informacija 10

Apžvalga.....	10
Komplekto turinys.....	11
Techniniai duomenys.....	12
Purkštukų lentelė.....	12

3 Įrengimas 13

Prieš įrengiant.....	13
Įrengimas ir prijungimas.....	14
Dujų konversija.....	15

4 Paruošimo Darbai 18

Patarimai, kaip taupyti energiją.....	18
Naudojant pirmą kartą.....	18
Pirmasis prietaiso valymas.....	18
Pradinis šildymas.....	18

5 Kaip naudoti šią viryklę 19

Bendroji informacija apie maisto gaminimą.....	19
Kaitlenčių naudojimas.....	19

6 Kaip naudoti orkaitę 21

Bendroji informacija apie kepimą, kepinimą.....	21
Kaip naudoti dujinę orkaitę.....	21
Maisto gaminimo laiko lentelė.....	22

7 Techninis aptarnavimas ir priežiūra 23

Bendroji informacija.....	23
Kaitlentės valymas.....	23
Valdymo skydo valymas.....	23
Orkaitės valymas.....	23
Orkaitės durelių išėmimas.....	24
Durelių vidinės stiklo plokštės išėmimas.....	24
Orkaitės lemputės keitimas.....	25

8 Triukšių nustatymas 26

1 Svarbūs nurodymai ir įspėjimai dėl saugos ir aplinkosaugos

Šiame skyriuje pateikiamos saugos instrukcijos, kurių laikydamiesi apsisaugosite nuo susižeidimo ar materialinės žalos pavojų. Nesilaikant šių instrukcijų bet kokia prietaiso garantija nebegalios.

Bendrieji saugos reikalavimai

- Šį prietaisą galima naudoti vaikams nuo 8 metų amžiaus ir asmenims, turintiems psichinių, jutiminių arba protinių negalių arba patirties bei žinių trūkumo, jeigu jie yra prižiūrimi arba instruotjami, kaip saugiai naudoti šį prietaisą, ir supranta atitinkamus pavojus. Neleiskite vaikams žaisti su šiuo prietaisu. Vaikams draudžiama valyti ir techniškai prižiūrėti šį gaminį, nebent juos prižiūrėtų suaugusieji.
- Šio prietaiso negalima naudoti asmenims (įskaitant vaikus), turintiems fizinių, jutimo ar psichinių negalių arba neturintiems pakankamai patirties ir žinių, nebent jie būtų prižiūrimi arba instruotami. Neleiskite vaikams žaisti su šiuo prietaisu.
- Perduodant įrenginį kitam žmogui asmeniniam naudojimui ar atiduodant kaip panaudotą daiktą, taip pat būtina perduoti naudotojo vadovą, įrenginio etiketes ir kitus susijusius dokumentus.

- Niekada prietaiso nestatykite ant grindų su kilimine danga. Tokiu atveju dėl nepakankamos oro tėkmės po prietaisu elektrinės dalys gali perkaisti. Tai sukels problemų naudojantis šiuo prietaisu.
- Remonto ir techninės priežiūros darbus visuomet privalo atlikti įgaliotojo techninio aptarnavimo centro atstovai. Gamintojas nėra atsakingas už žalą, kilusią dėl darbų, kuriuos atliko neįgaliotieji asmenys; tokiu atveju garantija gali nebegalioti. Prieš montuodami atidžiai perskaitykite instrukcijas.
- Nenaudokite prietaiso, jeigu jis turi defektų arba yra regimai pažeistas.
- Po kiekvieno naudojimo patikrinkite, ar išjungėte prietaiso valdymo mygtukus.

Sauga atliekant dujų prijungimo darbus

- Darbus su bet kokiais dujiniais prietaisais ir sistemomis gali atlikti tik įgaliotieji kvalifikuoti asmenys.
- Prieš pradėdami įrengimą, įsitikinkite, ar vietos dujų tiekimo sąlygos (slėgis ir dujų rūšis) atitinka šio buitinio prietaiso nustatymą.
- Šis prietaisas nėra prijungtas prie įtaiso, šalinančio degimo metu susidariusius produktus. Jį reikia įrengti ir prijungti atsižvelgiant į galiojančius prietaisų prijungimo reglamentus. Ypač reikia atkreipti dėmesį į atitinkamus vėdinimo

reikalavimus; žr. *Prieš įrengiant, puslapis 13*

- Naudojant dujinę viryklę, patalpoje, kur ji įrengta, skleidžiama šiluma, drėgmė ir degimo produktai. Pasirūpinkite, kad virtuvė būtų gerai vėdinama, kai prietaisas naudojamas: natūralias vėdinimo angas laikykite atviras arba įrenkite mechaninės ventilacijos įtaisus (mechaninį gartraukį). Jeigu prietaisas intensyviai eksploatuojamas ilgą laiką, gali prireikti papildomos ventilacijos, pavyzdžiui, padidinant mechaninės ventilacijos (jeigu ji įrengta) pajėgumą.
- Dujiniai prietaisai ir sistemos turi būti reguliariai tikrinami, ar jie tinkamai veikia. Privaloma reguliariai tikrinti reguliatorių, žarną bei jos spaustuką ir keisti juos kas gamintojo rekomenduojamus laikotarpius arba esant būtinybei.
- Reguliariai valykite dujinius degiklius. Liepsna turi būti mėlyna ir degti tolygiai.
- Dujiniuose prietaisuose privalo būti gerai sudeginamos dujos. Nevisiškai sudegus dujoms, gali susidaryti anglies monoksido (CO) dujų. Anglies monoksidas - bespalvės, bekvapės, nepaprastai nuodingos dujos, kurių net maža dozė gali būti mirtina.
- Teiraukitės informacijos apie dujų avarinės tarnybos telefono

numerius ir saugos priemones tais atvejais, jei pajustumėte sklindantį dujų kvapą.

Ką daryti, jei jaučiamas dujų kvapas

- Nenaudokite atviros ugnies ir nerūkykite. Nenaudokite jokių elektros mygtukų (pvz., lempos mygtuko, durų skambučio ir kt.). Nenaudokite laidinių ir mobiliojo ryšio telefonų. Sprogimo ir apsinuodijimo pavojus!
- Atidarykite duris ir langus.
- Uždarykite visas dujinių prietaisų ir dujų matavimo prietaisų sklendes.
- Patikrinkite visus vamzdžius ir jungtis, ar jie tvirtai prijungti. Jei vis tiek uodžiate dujas, išeikite iš buto.
- Įspėkite kaimynus.
- Iškvieskite ugniagesių komandą. Skambinkite ne iš name esančio telefono.
- Negrįžkite į patalpas, kol jums nebus leista tai padaryti.

Elektros sauga

- Jeigu gaminys turi defektų, jo negalima naudoti, kol jo nepataisys įgaliotojo techninio aptarnavimo centro atstovas. Kyla elektros smūgio pavojus!
- Prijunkite šį gaminį prie įžeminto lizdo/elektros linijos, apsaugoto tinkamos kategorijos saugikliu kaip nurodyta skyriuje „Techniniai duomenys“. Ir naudojant su transformatoriumi, ir be jo, įsitikinkite, ar įžeminimo instaliavimą atliko kvalifikuotas

elektrikas. Mūsų bendrovė nėra atsakinga už jokių nuostolių, patirtus naudojant gaminį, kuris nėra įžemintas pagal vietos reglamentus.

- Niekada neplaukite gaminio, purkšdami arba pildami ant jo vandenį! Kyla elektros smūgio pavojus!
- Niekada nelieskite kištukinio lizdo šlapiomis rankomis! Išjungdami niekuomet netraukite už elektros laido, ištraukite laikydami už kištuko.
- Atliekant montavimo, techninės priežiūros ir remonto darbus, šis gaminys privalo būti atjungtas nuo maitinimo tinklo.
- Jeigu gaminio jungiamasis kabelis būtų pažeistas, jį privalo pakeisti gamintojas, techninės priežiūros specialistas arba kiti panašios kvalifikacijos asmenys, kad būtų išvengta pavojaus.
- Prietaisą privaloma įrengti taip, kad prireikus jį galima būtų visiškai atjungti nuo tinklo. Nuo tinklo privaloma arba ištraukiant elektros kištuką, arba naudojant elektros sistemoje įrengtą jungiklį atsižvelgiant į statybos reglamentus.
- Naudojimo metu orkaitės galinis paviršius įkaista. Galiniame paviršiuje negalima prijungti dujų/elektros jungčių, nes jos gali būti pažeistos.
- Neprispauskite jungiamųjų laidų tarp orkaitės durelių ir korpuso;

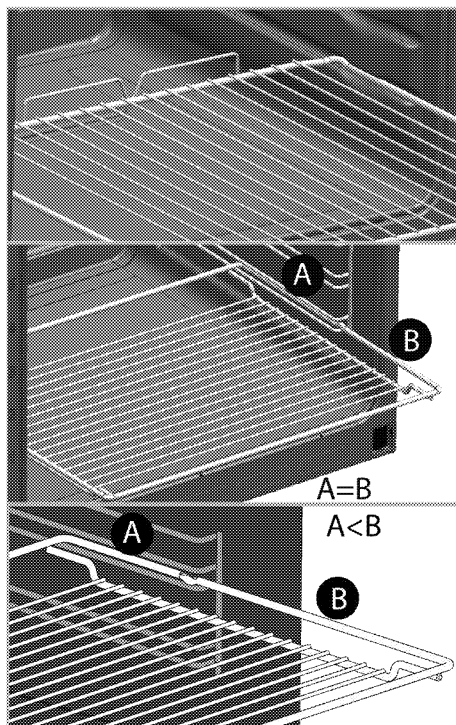
nenutieskite jo virš įkaitusių paviršių. Kitaip gali išsilydyti laido izoliacija ir dėl trumpojo jungimo kilti gaisras.

- Darbus su bet kokiais elektriniais prietaisais ir sistemomis gali atlikti tik įgaliotieji kvalifikuoti specialistai.
- Esant gedimui, išjunkite prietaisą ir atjunkite jį nuo maitinimo tinklo. Norint tai padaryti, pirma išjunkite namų tinklo saugiklį.
- Patikrinkite, ar saugiklio elektros saugos klasė yra tinkama šiam gaminiui.

Gaminio sauga

- ĮSPĖJIMAS: Prietaisas ir jo prieinamos dalys įkaista naudojimo metu. Būkite atsargūs ir neprisilieskite prie kaitinimo elementų. Neleiskite jaunesniems nei 8 metų amžiaus vaikams būti prie prietaiso, jeigu nuolat jų neprižiūrite.
- Nesinaudokite virykle, kai jūsų dėmesys arba koordinacija yra susilpnėjusi dėl alkoholio ir/arba narkotikų vartojimo.
- Būkite atsargūs, naudodami pateikaluose bet kokius alkoholinius gėrimus. Esant aukštai temperatūrai, alkoholis garuoja; prisilietęs prie karšto paviršiaus, jis gali užsiliepsnoti ir sukelti gaisrą.
- Nelaikykite šalia buitinio prietaiso jokių degių medžiagų, nes jo šonai naudojimo metu įkaista.

- Eksploatavimo metu prietaisas įkaišta. Būkite atsargūs ir neprisilieskite prie kaitinimo elementų orkaitės viduje.
- Pasirūpinkite, kad visos ventiliacijos angos būtų atviros.
- Nešildykite orkaitėje maisto skardinėse ir stiklainiuose. Skardinėje/stiklainyje susidaręs slėgis gali juos susprogdinti.
- Nedėkite kepimo skardų, indų ar aliuminio folijos tiesiai ant orkaitės dugno. Susikaupusi šiluma gali sugadinti orkaitės dugną.
- Orkaitės durelių stiklo nevalykite šiurkščiu abrazyviniu valikliu ar aštriais metaliniais gremžtukais, nes galite subraižyti paviršių ir dėl to stiklas gali sudužti.
- Nevalykite prietaiso gariniais valymo prietaisais, nes galite patirti elektros smūgį.
- (Gali skirtis priklausomai nuo gaminio modelio.)
Kaip tinkamai ant bėgelių uždėti grilio grotelės ir skardą
Svarbu tinkamai padėti grilio grotelės ir (arba) riebalų surinkimo skardą ant bėgelių. Įstumkite grilio grotelės arba riebalų surinkimo skardą tarp 2 skersinių ir, prieš dėdami ant jų maistą, patikrinkite, ar jie yra stabilūs (žr. toliau esantį paveikslėlį).



- Nenaudokite prietaiso, jeigu jo priekinis durelių stiklas yra išimtas arba suskilęs.
- Dėdami į orkaitę arba ištraukdami iš jos indus, visuomet mūvėkite šilumai atsparias pirštines.
- Įtieskite kepimo popierių į puodą ar patieskite ant skardos, grilio grotelių ar pan., sudėkite ant jo maistą ir įdėkite viską į įkaitintą orkaitę. Nuplėškite nereikalingus popieriaus kraštus, išsikišančius iš skartos, grilio grotelių ar puodo, kad jie neprisiliestų prie orkaitės kaitinimo elementų. Niekada nenaudokite kepimo popieriaus, kai temperatūra yra didesnei nei nurodyta kepimo popieriaus

instrukcijose. Netieskite kepimo popieriaus tiesiai ant orkaitės pagrindo.

- ĮSPĖJIMAS: Norėdami išvengti elektros smūgio, prieš pakeisdami lemputę įsitikinkite, kad prietaisas išjungtas.
- Neuždenkite viršutinio dangčio, kol kaitvietės arba degikliai neatvės. Sausai nušluostykite viršutinį dangtį prieš jį atidarydami, kad į viryklės galinę ir vidinę dalis nepakliūtų vandens.
- Prietaiso negalima montuoti už dekoratyvinių durelių, kad neperkaistų.
- Prietaisą būtina statyti tiesiai ant grindų. Jo negalima statyti ant pagrindo ar stovo.
- ĮSPĖJIMAS: Neprižiūrimas maisto gaminimas ant kaitlentės su riebalais ar aliejumi gali būti pavojingas ir sukelti gaisrą. NIEKADA negesinkite gaisro vandeniui, bet išjunkite prietaisą ir tada uždenkite liepsną, pvz., dangčiu arba gesinimo apdangalu.
- DĖMESIO: Maisto ruošimo procesą reikia prižiūrėti. Trumpalaikį maisto ruošimo procesą reikia prižiūrėti nuolat.
- ĮSPĖJIMAS: Gaisro pavojus: Nelaikykite daiktų ant maisto gamavimo paviršių.

Norėdami užtikrinti gaminio apsaugą nuo gaisro:

- Kištuką į elektros lizdą privaloma įkišti taip, kad nekiltų kibirkščių.

- Nenaudokite pažeisto arba įpjauto kabelio, o taip pat ilginimo laido; naudokite tik originalų kabelį.
- Į elektros lizdą jokiais būdais negalima kišti drėgno arba sušlapusio kištuko.
- Privaloma tinkamai prijungti dujų tiekimo įrangą, kad nebūtų dujų nuotėkio.

Numatytoji naudojimo paskirtis

- Šis gaminys skirtas naudoti tik buityje. Jį draudžiama naudoti komercinei veiklai.
- Šis prietaisas skirtas tik maistui gaminti. Prietaiso negalima naudoti kitiems tikslams, pavyzdžiui, patalpai šildyti.
- Gamintojas neatsako už jokią žalą, patirtą netinkamai naudojant arba prižiūrint prietaisą.
- Orkaitę galima naudoti maistui atšildyti, kepti, kepinti ir kepti grylyje.

Vaikų sauga

- ĮSPĖJIMAS: Naudojimo metu pasiekiamos dalys gali labai įkaisti. Neleiskite prie jų būti mažamečiams vaikams.
- Pakavimo medžiagos gali kelti pavojų vaikams. Saugokite pakavimo medžiagas nuo vaikų. Išmeskite visas pakuotės dalis atsižvelgdami į aplinkosaugos reikalavimus.
- Elektriniai ir (arba) dujiniai prietaisai gali būti pavojingi vaikams. Gaminiui veikiant, neleiskite artyn

vaikų ir neleiskite jiems žaisti su šiuo prietaisu.

- Galima naudoti papildomas apsaugos priemones, kurios apsaugotų nuo prisilietimų prie orkaitės durų. Šią dalį reikėtų pritaisyti tada, jeigu šalia žaidžia maži vaikai.
- Virš prietaiso nelaikykite daiktų, kuriuos vaikai gali bandyti pasiekti.
- Ant atidarytų priekinių durelių nedėkite sunkių daiktų ir neleiskite vaikams ant jų sėdėti. Prietaisas gali apvirsti arba gali būti sugadinti durelių vyriai.

Seno gaminio išmetimas

WEEE Direktyvos ir senų gaminių išmetimo taisyklių atitikties:



Šis gaminys atitinka ES WEEE Direktyvą (2012/19/ES).

Šis gaminys paženklintas elektros ir elektroninės įrangos klasifikavimo (WEEE) ženklu.

Šis gaminys pagamintas iš aukštos kokybės medžiagų ir dalių, kurias galima perdirbti ir pakartotinai panaudoti. Pasibaigus gaminio tarnavimo laikui, neišmeskite jo kartu su įprastomis buitinėmis atliekomis. Atiduokite jį į surinkimo punktą, kad elektros ir elektronikos įranga būtų perdirbta. Surinkimo punktų adresus sužinosite vietos savivaldybėje.

RoHS direktyvos atitikties:

Jūsų įsigytas gaminys atitinka ES RoHS Direktyvą (2011/65/ES). Jame nėra šioje Direktyvoje nurodytų kenksmingų ir draudžiamų medžiagų.

Pakavimo medžiagų išmetimas

- Pakavimo medžiagos gali būti pavojingos vaikams. Pakavimo medžiagas laikykite vaikams nepasiekiamoje vietoje. Šio gaminio pakavimo medžiagos pagamintos iš pakartotinai panaudojamų medžiagų. Tinkamai jas išmeskite ir išrūšiukite, atsižvelgdami į atliekų perdirbimo instrukciją. Neišmeskite jų kartu su įprastomis buitinėmis atliekomis.

Būsimas transportavimas

- Išsaugokite originalią prietaiso dėžę ir vežkite prietaisą jo originalioje pakuotėje. Vadovaukitės ant dėžės pateiktais nurodymais. Jeigu neturite originalios kartoninės dėžės, supakuokite gaminį į plastikinę plėvelę su oro burbuliukais arba storą kartoną ir tvirtai apsuokite jį lipnia juosta.
- Norėdami apsaugoti, kad viduje esančios grilio grotelės ir skardos nesugadintų orkaitės durelių, skardų padėties lygyje lipnia juosta prilipdykite kartono juostelę prie vidinės durelių pusės. Lipnia juostele priklijuokite dureles prie orkaitės korpuso.
- Apsukite gaubtelius ir puody atramas lipnia juosta.
- Nekelkite ir neperstatinėkite prietaiso, laikydami už jo durelių ir arba rankenos.



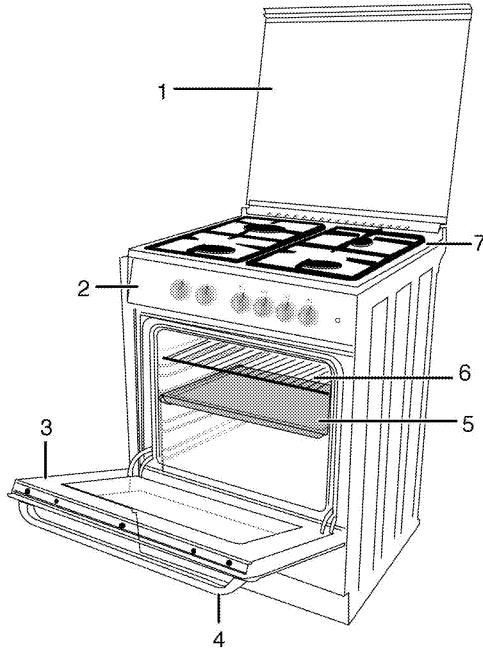
Nedėkite ant gaminio jokių daiktų ir neškite jį tik vertikaloje padėtyje.



Apžiūrėkite prietaisą ir įsitinkinkite, ar jis nebuvo apgadintas gabenimo metu.

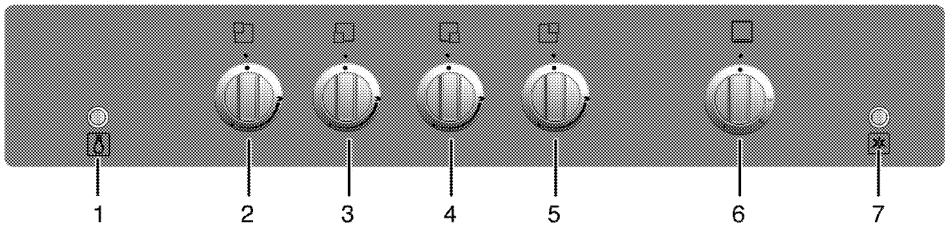
2 Bendra informacija

Apžvalga



- 1 Viršutinis dangtis
- 2 Valdymo skydelis
- 3 Priekinės durelės
- 4 Rankena

- 5 Skarda
- 6 Grilio grotelės
- 7 Degiklio plokštė



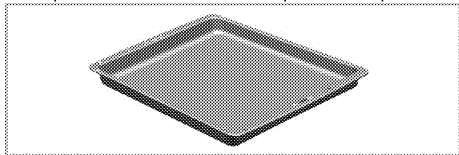
- 1 Lemputės mygtukas
- 2 Įprastas degiklis Galinis kairysis
- 3 Atsarginis degiklis Priekinis kairysis
- 4 Greitasis degiklis Priekinis dešinysis
- 5 Įprastas degiklis Galinis dešinysis
- 6 Orkaitės rankenėlė
- 7 Uždegimo mygtukas

Komplekto turinys

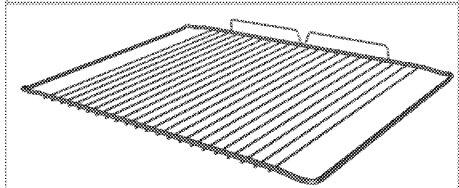
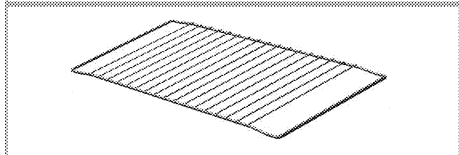
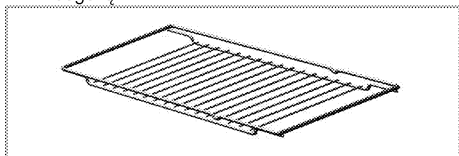


Pateikti priedai gali skirtis priklausomai nuo gaminio modelio. Jūsų gaminyje gali būti ne visi vartotojo vadove aprašyti priedai.

1. **Vartotojo vadovas**
2. **Orkaitės kepimo skarda**
Naudojama pyragaičiams, šaldytiems maisto produktams ir dideliems kepsniams kepti.



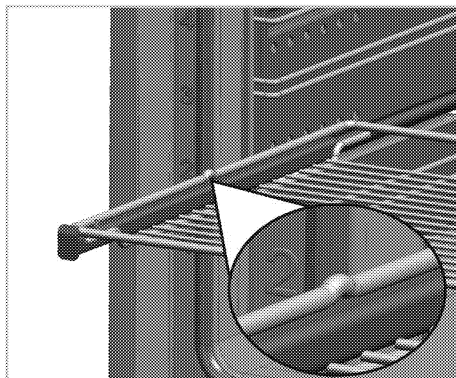
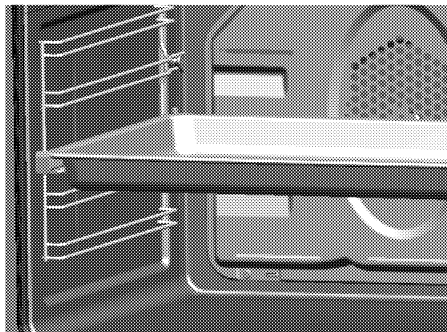
3. **Grilio grotelės**
Naudojamos kepinimui ir maisto produktams, kurie bus kepami, kepinami arba gaminami troškinimo induose, dedamos ant pageidaujamo bėgelių.



4. **Kaip tinkamai įdėti grilio groteles ir skardą ant ištraukiamų bėgelių**
(Ši funkcija yra pasirinktinė. Jūsų gaminyje jos gali nebūti.)

Ištraukiami bėgeliai leidžia lengvai įdėti ir išimti skardas bei grilio groteles.

Naudodami skardą ir grilio groteles su ištraukiamais bėgeliais, įsitikinkite, kad ištraukiamų bėgelių galinėje dalyje esantys kaiščiai būtų atremti į grilio grotelių ir skardos kraštus.



Techniniai duomenys

BENDRA INFORMACIJA	
Išoriniai matmenys (aukštis / plotis / gylis)	850 mm/500 mm/500 mm
Įtampa/dažnis	220-230 V ~ 50 Hz
Saugiklis	min. 6 A
Laido tipas/ skerspjūvis	min.H05W-FG 3 x 0,75 mm ²
Dujinio gaminio kategorija	II 2H3B/P / II 2H3+
Dujų rūšis/slėgis	NG G 20/20 mbar
Bendros dujų sąnaudos	9,5 kW
Dujų rūšies / spūgio keitimas ^S	LPG G 30/28-30 mbar
pasirenkama	Propanas 31/37 mbar
VIRYKLĖ	
2 degikliai	
Galinis kairysis	Įprastas degiklis
Energija	2.0 kW
Priekinis kairysis	Atsarginis degiklis
Energija	1.0 kW
Priekinis dešinysis	Greitasis degiklis
Energija	2.5 kW
Galinis dešinysis	Įprastas degiklis
Energija	2.0 kW
ORKAITĖ	
Pagrindinė orkaitė	Dujinė orkaitė
Vidaus lemputė	15-25 W
Orkaitės dujų sąnaudos	2.0 kW



Siekiant pagerinti šio gaminio kokybę, techniniai duomenys gali būti keičiami be išankstinio įspėjimo.



Šioje instrukcijoje nurodytos savybės yra schemiškos ir gali skirtis nuo gaminio savybių.



Mašinų kategorijos plokštelėse arba jas lydinčiose dokumentacijose nurodyti dydžiai gauti esant laboratorinėms sąlygoms, vadovaujantis atitinkamais standartais. Buitinių prietaisų sąnaudos ir reikšmės gali skirtis priklausomai nuo eksploataavimo ir aplinkos sąlygų.

Purkštukų lentelė

Degiklio padėtis	2.0 kW	1.0 kW	2.5 kW	2.0 kW
Dujų rūšis/dujų slėgis	Galinis kairysis	Priekinis kairysis	Priekinis dešinysis	Galinis dešinysis
G 20/20 mbar	103	72	125	103
G 30/28-30 mbar	72	50	80	72
G 31/ 37 mbar	72	50	80	72
Dujų rūšis/dujų slėgis	Dujinė orkaitė			
G 20/20 mbar	105			
G 30/28-30 mbar	71			
G 31/ 37 mbar	71			

3 Įrengimas

Prietaisą įrengti turi kvalifikuotas specialistas, vadovaudamasis galiojančiais teisės aktais. Kitaip nebegalios gaminio garantija. Gamintojas nėra atsakingas už žalą, kilusią dėl darbų, kuriuos atliko neįgaliotieji asmenys; tokiu atveju nebegalios ir garantija.



Vartotojas yra atsakingas už vietos, elektros ir dujų instaliacijos paruošimą šiam gaminiui.



PAVOJUS:

Šis prietaisas turi būti įrengtas ir prijungtas atsižvelgiant į galiojančius vietos dujų ir (arba) elektros prijungimo reglamentus.



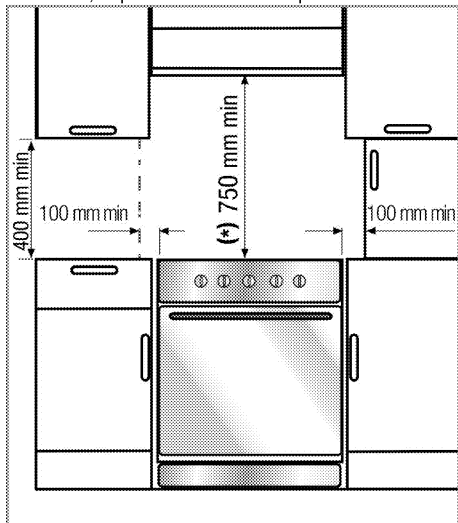
PAVOJUS:

Prieš pradėdami instaliaciją, apžiūrėkite šį gaminį, ar jis neturi kokių nors defektų. Jeigu turi, neinstaliuokite jo. Sugadinti gaminiai kelia pavojų jūsų saugai.

Prieš įrengiant

Siekiant užtikrinti, kad po šiuo gaminiu liktų būtinas tarpas orui cirkuliuoti, rekomenduojame statyti šį gaminį ant kieto pagrindo, kad jo kojelės nestovėtų ant jokių kilimų ar minkštos kiliminės dangos.

Virtuvės grindys turi būti pakankamai tvirtos, kad išlaikytų prietaiso svorį ir papildomą svorį: virtuvės reikmenis, kepimo indus ir maisto produktus.



- Šį prietaisą galima naudoti spintelėse bet kurioje pusėje, bet, kad virš kaitvietės liktų mažiausiai 400 mm tarpas, tarpas tarp prietaiso ir šoninės

senos, sienelės ar aukštos spintelės turi būti bent 65 mm.

- Šį prietaisą galima statyti ir atskirai. Virš voryklės privaloma palikti mažiausiai 750 mm tarpą.
- (*) Jeigu virš voryklės bus montuojamas gartraukis, žr. gartraukio gamintojo instrukciją dėl tinkamo montavimo aukščio (min. 650 mm).
- Šis prietaisas atitinka 1 klasės prietaisų reikalavimus, t.y., jį galima statyti galine ir **viena** šonine sienoje prie virtuvės sienų, virtuvės baldų arba bet kokio dydžio įrenginio. Iš **kitos** pusės virtuvės baldas ar įrenginys gali būti tik tokio paties dydžio arba mažesnis.
- Bet koks prie šio prietaiso esantis virtuvės baldas privalo būti atsparus šilumai (bent iki 100 °C).

Kambario vėdinimas

Visose patalpose turi būti atidarami langai arba juos atitinkančios vėdinimo priemonės, be to, kai kuriose patalpose reikės ir nuolatinės ventiliacijos angos. Oras degimo procesui palaikyti imamas iš kambario, o dujos ir garai išleidžiami tiesiai į tą patį kambarį. Todėl saugiam prietaiso veikimui užtikrinti būtinas geras vėdinimas.

Patalpos su durimis ir (arba) langais, atsidarančiais tiesiai į lauką

Duryse ir (arba) languose, kurie atsidaro tiesiai į lauką, turi būti bendra ventiliacijos anga, kurios matmenys nurodyti toliau pateikiamoje lentelėje pagal bendrą prietaiso dujinę galią (bendros prietaiso dujų sąnaudos parodytos šio vartotojo vadovo techninių specifikacijų lentelėje). Jei duryse ir (arba) languose nėra bendros ventiliacijos angos, atitinkančios bendras prietaiso dujų sąnaudas, nurodytas toliau pateikiamoje lentelėje, tada patalpoje privalo būti papildoma fiksuota ventiliacijos anga, kad būtų užtikrinti bendri minimalūs vėdinimo reikalavimai pagal prietaiso pasiekiamas bendras dujų sąnaudas. Fiksuota ventiliacijos anga gali apimti esamų tuščiaidurių plytų angų, garintuvo vamzdžio angos matmenis ir kt.

Bendros dujų sąnaudos (kW)	min. ventiliacijos anga (cm ²)
0–2	100
2–3	120
3–4	175
4–6	300
6–8	400
8–10	500
10–11,5	600
11,5–13	700
13–15,5	800
15,5–17	900
17–19	1 000
19–24	1 250

Patalpos, kuriose nėra durų ir (arba) langų, atsidaranti tiesiai į lauką

Jei patalpoje, kurioje įrengtas prietaisas, nėra durų ir (arba) lango, kuris atsidaro tiesiai į lauką, reikia ieškoti kitų produktų, kurie suteiktų fiksuotą nereguliuojamą ir neuždaromą ventiliacijos angą, atitinkančią bendrus minimalius ventiliacijos angų reikalavimus, taikomus prietaisui pagal anksčiau pateiktoje lentelėje nurodytas bendras dujų sąnaudas. Taip pat reikia laikytis atitinkamų pastatų taisyklių rekomendacijų.

Kai patalpoje arba vidinėje erdvėje yra daugiau nei vienas dujinis prietaisas, be reikalavimų, nurodytų anksčiau pateiktoje lentelėje, reikia įrengti papildomą ventiliacijos sritį. Papildomos ventiliacijos srities dydis turi atitikti kitų dujinių prietaisų reikalavimus.

Patalpoje, kurioje įrengtas prietaisas, turi būti mažiausiai 10 mm atstumas po durimis, kurios atsidaro į vidines patalpas. Turite užtikrinti, kad tokie daiktai, kaip kilimai ir kitos grindų dangos, neturėtų poveikio atstumui, kai durys yra uždarytos. Viryklę galima statyti virtuvėje, virtuvėje/valgomajame arba miegamajame/svetainėje, bet ne kambaryje, kuriame yra vonia arba dušas. Viryklės negalima statyti miegamajame/svetainėje, kurios plotas yra mažesnis nei 20 m³.

Nestatykite šio buitinio prietaiso patalpoje, kuri yra žemiau žemės lygio, nebent joje būtų atviras išėjimas į žemės paviršių bent iš vienos pusės.

Įrengimas ir prijungimas

Šį prietaisą reikia įrengti ir prijungti atsižvelgiant į įstatymuose dėl prijungimo numatytas taisykles.



Nestatykite šio buitinio prietaiso prie šaldytuvo ar šaldiklio. Šio prietaiso skleidžiama šiluma padidins šaldymo prietaisų energijos sąnaudas.

- Prietaisą turi nešti bent du žmonės.
- Prietaisą būtina statyti tiesiai ant grindų. Jo negalima statyti ant pagrindo ar stovo.



Nekelkite ir neperstatinėkite prietaiso, laikydami už jo durelių ir (arba) rankenos. Apgadinamos durelės, rankenos ar vyriai.

Elektros įvadas

Prijunkite gaminių prie žeminto lizdo, apsaugoto tinkamos kategorijos miniatiūriniu grandinės pertraukikliu, kaip nurodyta techninių duomenų lentelėje. Ir naudojant su transformatoriumi, ir be jo, įsitinkinkite, ar žemimo instaliavimą atliko kvalifikuotas elektrikas. Mūsų bendrovė nėra atsakinga už jokią žalą, kuri gali atsirasti naudojant gaminį, kuris nėra žemintas atsižvelgiant į vietos reglamentus.



PAVOJUS:

Prietaisą prie maitinimo tinklo gali prijungti tik įgaliotasis kvalifikuotas meistras. Prietaiso garantija galioja tik tinkamai jį prijungus. Gamintojas nėra atsakingas už žalą, kilusią dėl darbų, kuriuos atliko neįgaliotieji asmenys.



PAVOJUS:

Maitinimo laido negalima prispausti, sulenkti ar suspausti, jis neturi liestis prie įkaitusių prietaiso dalių. Pažeistą maitinimo laidą privalo pakeisti kvalifikuotas elektrikas. Kitu atveju kyla elektros smūgio, trumpojo jungimo ar gaisro pavojus!

Maitinimo tinklo duomenys turi atitikti ant prietaiso esančioje kategorijos plokštelėje nurodytus duomenis. Kategorijos plokštelę pamatysite arba atidarę dureles arba apatiną dangtą, arba ji bus ant galinės prietaiso sienelės, priklausomai nuo prietaiso modelio. Šio gaminio maitinimo laidas privalo atitikti techninių duomenų lentelėje nurodytus parametrus.



Įrengus prietaisą, maitinimo laido kištukas turi būti lengvai pasiekiamas (nenuitieskite laido virš viryklės).



Atliekant elektros instaliaciją, privalote laikytis nacionalinių / vietos elektros taisyklių ir naudoti orkaitei tinkančius kištukinį lizdą / elektros liniją ir kištuką. Jeigu gaminio galios apribojimai viršija elektros linijos lizdo ir kištuko srovės perdavimo gebą, gaminį reikia jungti naudojant stacionariąją elektros instaliaciją tiesiogiai, nenaudojant elektros linijos kištuko ir lizdo.



PAVOJUS:

Prieš pradėdami bet kokius elektros prijungimo darbus, išjunkite gaminį iš maitinimo tinklo. Kyla elektros smūgio pavojus!

Junkite maitinimo laido kištuką į elektros lizdą.

Dujų prijungimas



PAVOJUS:

Prietaisą prie dujų tiekimo sistemos gali prijungti tik įgaliotas ir kvalifikuotas asmuo. Sprogimo ar apsinuodijimo rizika dėl nequalifikuotai atliktų remonto darbų! Gamintojas nėra atsakingas už žalą, kilusią dėl darbų, kuriuos atliko neįgaliotieji asmenys.



PAVOJUS:

Prieš pradėdami bet kokius dujų prijungimo darbus, išjunkite dujų tiekimą. Kyla sprogimo pavojus!

- Dujų reguliavimo sąlygos ir dydžiai pateikti duomenų lentelėse (arba duomenų plokštelėje).



Šis prietaisas yra pritaikytas naudoti su gamtinėmis dujomis (GD).

- Gamtinių dujų prijungimas turi būti paruoštas prieš prijungiant prietaisą.
- Prie gaminio gamtinių dujų prijungimo angos turi būti pritaisyta lanksti žarna, o šio vamzdžio galas turi būti užkimštas kaiščiu. Dujų tarnybos atstovas, atlikdamas prijungimą, ištrauks kaištį ir prijungs šį prietaisą tiesioginio prijungimo įtaisui (mova).
- Patikrinkite, ar įrengtas gamtinių dujų vožtuvas.
- Jeigu vėliau jums reikės naudoti šį prietaisą su kita dujų rūšimi, privalote pasitarti su įgaliotąja technine tarnyba dėl atitinkamos pakeitimo procedūros.



PAVOJUS:

Dujų tiekimo žarnos negalima prispausti, sulenkti ar suspausti, jis neturi liestis prie įkaitusių prietaiso dalių. Dėl sugadintos dujų tiekimo žarnos gali kilti sprogimo pavojus.

- Pristumkite prietaisą prie virtuvės sienos.
- **Orkaitės kojelių reguliavimas**

Naudojant kylanti vibracija gali priversti prikaišavius judėti. Šios pavojingos situacijos galima išvengti tinkamai išlyginutus ir subalansavus prietaiso aukštį. Savo pačių saugumui pastatykite prietaisą tiesiai, reguliuodami keturias apačioje esančias kojeles, sukdami jas kairėn arba dešinėn, kad prietaisas būtų sulygintas su stalviršiu.

Galutinis patikrinimas

1. Atsukite dujų čiaupą.
2. Patikrinkite visas jungtis, ar jos tvirtai įtaisytos ir prijungtos.
3. Uždegti degiklius ir patikrinkite, kaip dega liepsna.



Liepsna turi būti mėlyna ir taisyklingos formos. Jei liepsna gelsva, patikrinkite, ar degiklio galvutė tvirtai uždėta arba nuvalykite degiklį.

Dujų konversija



PAVOJUS:

Prieš pradėdami bet kokius dujų prijungimo darbus, išjunkite dujų tiekimą. Kyla sprogimo pavojus!

Norėdami pakeisti buitiniame prietaise naudojamų dujų rūšį, pakeiskite visus purkštukus ir pareguliuoti visus vožtuvas, kad liepsna būtų mažesnė.

Degiklių purkštukų pakeitimas

1. Nuimkite degiklio galvutę ir degiklio korpusą.
2. Išsukite purkštukus, sukdami prieš laikrodžio rodyklę.
3. Įtaisykite naujus purkštukus.
4. Patikrinkite visas jungtis, ar jos tvirtai įtaisytos ir prijungtos.

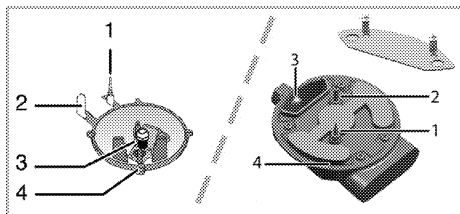


Naujų purkštukų padėtis yra pažymėta ant jų pakuotės arba ją galima rasti lentelėje *Purkštukų lentelė, puslapis 12*.



((Gali skirtis priklausomai nuo gaminio modelio.))

Kai kurių degiklių purkštukai uždengti metaliniu gaubtu. Keičiant purkštuką šį metalinį gaubtą reikia nuimti.



- 1 Dujų išjungimo įtaisas (jeigu įrengtas)
- 2 Uždegimo žvakė
- 3 Purkštukas
- 4 Degiklis



Nebandykite nuimti dujinių degiklių čiauptį, nebent tai būtų būtina susidarius neįprastoms sąlygoms. Jeigu reikia keisti čiauptį, privalote iškviešti įgaliotąją tarnybą.

Sumažintas dujų tiekimo srauto nustatymas viryklių čiauptams

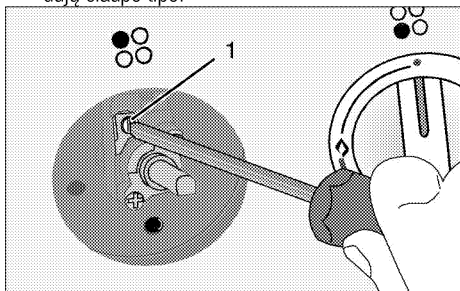
1. Uždekite degiklį, kurį reikia pareguliuoti, pasukite rankenėlę į mažesnės liepsnos padėtį.
2. Nuimkite rankenėlę nuo dujų čiaupto.
3. Norėdami pareguliuoti dujų srauto reguliavimo varžtą, naudokite tinkamo dydžio atsuktuvą.

Jeigu naudojate suskystintąsias dujas, (butaną – propaną), sukite varžtą pagal laikrodžio rodyklę.

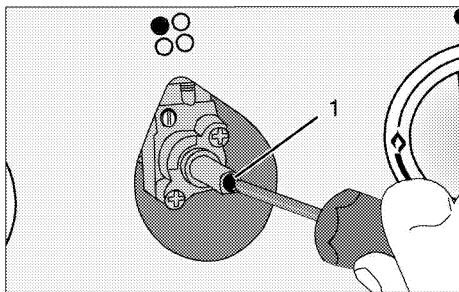
Naudojant natūralias dujas, varžtą reikia vieną kartą pasukti **prieš laikrodžio rodyklę**.

» Sumažinus dujų vartojimą, paprastai liepsna turi būti 6–7 mm aukščio.

4. Jei liepsna didesnė, negu reikia, pasukite varžtą pagal laikrodžio rodyklę. Jei ji mažesnė – prieš laikrodžio rodyklę.
5. Patikrinkite, kaip dega dujos minimalioje ir maksimalioje jungiklio padėtyje.
6. Reguliavimo varžto padėtis gali skirtis, priklausomai nuo buitiniame prietaise naudojamo dujų čiaupto tipo.



- 1 Srauto greičio reguliavimo varžtas

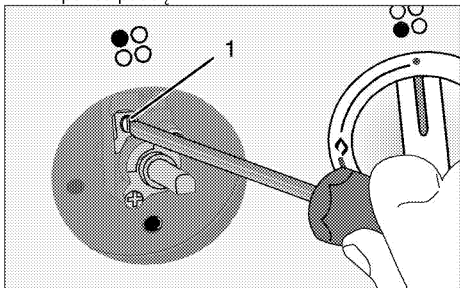


- 1 Srauto greičio reguliavimo varžtas

Sumažinto srauto nustatymas dujinėje orkaitėje

Kad orkaitė tinkamai veiktų, ypač svarbu dar kartą patikrinti apėjimo sureguliovimą. Kad naudotojas būtų maksimaliai apsaugotas, šiuose veiksmus reikia atlikti labai atidžiai.

1. Uždekite degiklį, kurį reikia pareguliuoti, pasukite rankenėlę į didelės liepsnos padėtį.
2. Uždarykite orkaitės dureles ir palaukite 10 - 15 minučių, kol orkaitė bus paruošta reguliavimui.
3. Nuimkite rankenėlę.
4. Po 15 minučių nustatykite orkaitę į mažiausios liepsnos padėtį.



5. Sukdami orkaitės termostato varžtą, **1** nustatykite 2 – 3 mm aukščio liepsną. Sukant varžtą pagal laikrodžio rodyklę, liepsna mažėja, o prieš laikrodžio rodyklę – didėja.



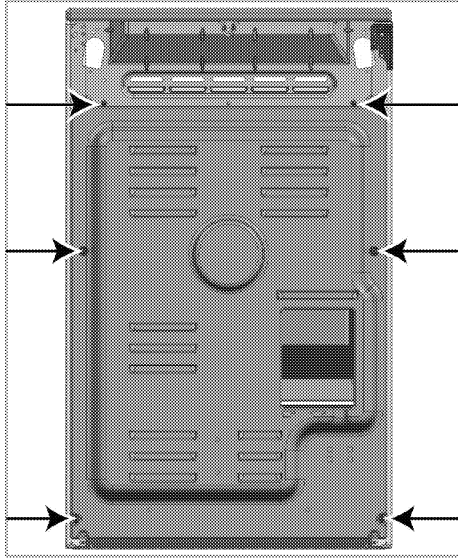
Jei dujų srautas orkaitėje negali būti nustatytas pašalinę rankenėlę, prašome pašalinti reikalingus orkaitės dalys (Valdymo skydas, degiklio plokštės ir tt) ir tada nustatykite dujų debitą orkaitėje.



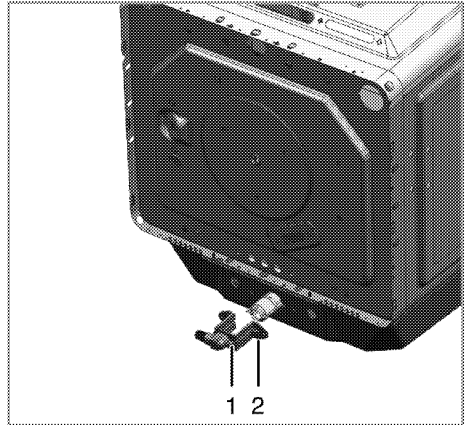
Jei orkaitės temperatūra stipriai pakyla, išjunkite orkaitę ir kreipkitės į įgaliotąjį aptarnavimo centrą dėl termostato remonto.

Orkaitės purkštuko pakeitimas

1. Atsukite galinę sienelę laikinčius varžtus.



2. Atsukite 2 varžtus (2) nuo purkštuko laikiklio (1).



- 1 Purkštuko laikiklis
- 2 Varžtas
- 3 Ištraukite purkštuko laikiklį.
- 4 Išsukite purkštuką, sukdami prieš laikrodžio rodyklę.
- 5 Įtaisykite naują purkštuką.

i Pakeitus prietaise naudojamų dujų rūšį, reikia pakeisti ir kategorijos plokštelę, kurioje nurodoma prietaise naudojamų dujų rūšis.

Butanas / propanas

Varžtą prisukite iki galo

NATŪRALI GALIA

Atveržkite varžtą

Pasukite pusapskritimiu



4 Paruošimo Darbai

Patarimai, kaip taupyti energiją

Ši informacija padės jums ekologiškiau naudoti šį buitinį prietaisą ir taupyti energiją.

- Naudokite tamios spalvos arba emale padengtus prikaistuvius, nes jie geriau perduoda šilumą.
- Gamindami patiekalus, įkaitinkite orkaitę, jeigu tai rekomenduojama vartotojo vadove arba pagal receptą.
- Gaminant maistą, dažnai nedarinėkite orkaitės durelių.
- Jeigu įmanoma, vienu metu orkaitėje stenkitės gaminti daugiau nei vieną patiekalą. Galite gaminti, padėję du kepimo indus ant vielinių grilio grotelių.
- Gaminkite daugiau nei vieną patiekalą vieną po kito. Orkaitė jau būtų įkaitusi.
- Atšildykite užšaldytus maisto produktus prieš gamindami juos.
- Kepimui naudokite puodus/keptuves su dangčiais. Nenaudojant dangčių, energijos sąnaudos gali padidėti iki 4 kartų.
- Pasirinkite degiklį, labiausiai tinkamą pagal prikaistuvio, kurį naudosite, dugno dydį. Visuomet parinkite tinkamo dydžio prikaistuvius patiekalams ruošti. Didesniems prikaistuviams reikia daugiau energijos.

Naudojant pirmą kartą

Pirmasis prietaiso valymas



Tam tikros valymo priemonės ar valymo medžiagos gali apgadinti paviršių. Valydami nenaudokite šlifuojančių valymo priemonių, valymo miltelių/pienelio ar kokių nors aštrių daiktų.

1. Nuimkite visas pakavimo medžiagas.
2. Nuvalykite prietaiso paviršius drėgnu skudurėliu ar kempine, tuomet sausai nušluostykite.

Pradinis šildymas

Pakaitinkite prietaisą maždaug 30 minučių, tuomet išjunkite jį. Taip bus nudegintos ir pašalintos po gamybos likusios nuosėdos ir apsauginiai sluoksniai.



DĖMESIO

Karšti paviršiai gali nudeginti! Naudojamas prietaisas gali įkaisti. Niekuomet nelieskite karštų degiklių, vidinių orkaitės dalių, šildytuvų ir pan. Neleiskite vaikų artyn. Dėdami į orkaitę ar ištraukdami iš jos indus, visuomet mūvėkite šilumai atsparias pirštines.

Dujinė orkaitė

1. Iš orkaitės išimkite visas kepimo skardas ir grotelles.
2. Uždarykite orkaitės dureles.
3. Parinkite didžiausią dujinės orkaitės liepsną; žr. *Kaip naudoti dujinę orkaitę, puslapis 21*.
4. Pakaitinkite orkaitę maždaug 30 minučių.
5. Išjunkite orkaitę; žr. *Kaip naudoti dujinę orkaitę, puslapis 21*.



Pirmą kartą naudojant orkaitę, porą valandų gali kilti dūmų ir skliti nemalonus kvapas. Tai visiškai normalu. Būtinai gerai išvėdinkite patalpą, kad joje neliktų dūmų ir nemalonaus kvapo. Stenkitės neįkvėpti dūmų ir jų sklaidžiamo kvapo.

5 Kaip naudoti šią viryklę

Bendroji informacija apie maisto gaminimą



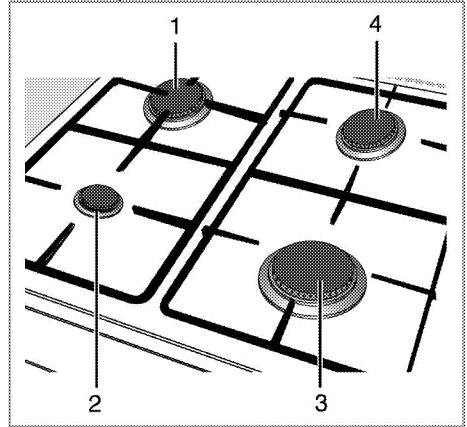
Aliejumi nepripildykite daugiau nei trečdaliao keptuvės. Kaitindami aliejų kaitvietės nepalikite be priežiūros. Dėl perkaitusio aliejaus gali kilti gaisras. **Niekuomet nebandykite gaisro gesinti vandeniu!** Aliejui užsidegus, uždekte jį audiniu gaisrui gesinti ar drėgnu skudurėliu. Išjunkite kaitvietę, jei tai padaryti saugu, ir kvieskite ugniagesius.

- Prieš kepdami maisto produktus, visada kruopščiai juos nusausinkite ir lėtai dėkite į karštą aliejų. Prieš kepimą būtina visiškai atšildykite užšaldytus maisto produktus.
- Kaitindami aliejų, neuždenkite prikaistuvio.
- Puodus ir keptuves ant kaitlentės dėkite taip, kad jų rankenos nebūtų virš kaitviečių ir neįkaisty.
- Ant kaitlentės nedėkite nesubalansuotų ir lengvai virstančių indų.
- Nedėkite tuščių indų ir prikaistuvių ant įjungtų kaitviečių. Jie gali būti sugadinti.
- Laikant įjungtą kaitvietę be indo ar prikaistuvio, gaminys gali sugesti. Pabaigę gaminti, išjunkite kaitvietes.
- Gaminio paviršius gali būti įkaitęs, todėl nedėkite ant jo plastikinių ir aliumininių indų. Tokiuose induose nereikėtų laikyti ir maisto produktų.
- Naudokite tik prikaistuvius arba indus plokščiais dugnais.
- Į prikaistuvius ir indus dėkite tinkamą maisto produktų kiekį. Tuomet nereikės bereikalingai valyti, nes patiekalai neišbėgs. Nedėkite ant kaitviečių puodų arba keptuvių dangčių. Prikaistuvius dėkite taip, kad jie būtų kaitviečių viduryje. Jeigu norite perkelti prikaistuvį ant kitos kaitvietės, pakelkite ir padėkite jį ant kaitvietės, o ne traukite jį paviršiumi.

Gaminimas naudojant dujas

- Indo dugno ir liepsnos skersmenys privalo atitikti vienas kitą. Pereguliuokite dujų liepsnas, kad jų nesimatyty iš po puodo dugno; padėkite puodą ant puodų atramos, per vidurį.

Kaitlenčių naudojimas



- 1 Įprastas degiklis 18-20 cm
- 2 Atsarginis degiklis 12-16 cm
- 3 Greitasis degiklis 20-22 cm
- 4 Įprastas degiklis 18-20 cm yra rekomenduojamo skersmens puodų, kuriuos reikia naudoti ant atitinkamų degiklių, sąrašas.

Didelės liepsnos simbolis atitinka didžiausią virimo galingumą, mažos liepsnos simbolis - mažiausią virimo galingumą. Išjungimo padėtyje (viršutinėje), dujų tiekimas į degiklius yra išjungtas.

Dujinių degiklių uždegimas



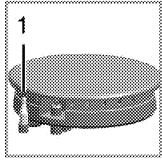
Dujiniai degikliai uždegami uždegimo mygtukais.

1. Laikykite nuspaudę degiklio rankenėlę.
2. Sukite ją prieš laikrodžio rodyklę link didelės liepsnos simbolio.
3. Paspauskite ir atleiskite uždegimo mygtuką. Kartokite veiksmą, kol dujos užšiliepsnos.
4. Nustatykite norimą virimo galingumą.

Dujinių degiklių išjungimas

Pasukite šilumos palaikymo srities rankenėlę į išjungimo (viršutinę) padėtį.

Dujų išjungimo saugos sistema (modeliuose su terminiu elementu)



1. Dujų išjungimo sauga

Saugos priemonė: jeigu ant degiklių išsilieja skystis ir liepsna užgesa, suveikia saugos mechanizmas, kuris išjungia dujų tiekimą.

- Norėdami uždegti, įspauskite rankenėlę vidun ir sukite ją prieš laikrodžio rodyklę.
- Dujoms užsidegus, palaikykite rankenėlę nuspaudę dar 3-5 sekundes, kad būtų įjungta saugos sistema.
- Jeigu paspaudus ir atleidus rankenėlę dujos neuždegamos, pakartokite tą pačią procedūrą, palaikydami rankenėlę nuspaudę 15 sekundžių.



PAVOJUS:

Jei degiklis neuždegamas per 15 sekundžių, atleiskite mygtuką. Prieš bandydami dar kartą, palaukite bent 1 minutę. Kyla dujų susikaupimo ir sprogimo rizika!

6 Kaip naudoti orkaitę

Bendroji informacija apie kepimą, kepinimą



DĖMESIO

Karšti paviršiai gali nudeginti!
Naudojamas prietaisas gali įkaisti. Niekuomet nelieskite karštų degiklių, vidinių orkaitės dalių, šildytuvų ir pan. Neleiskite vaikų artyn.
Dėdami į orkaitę ar ištraukdami iš jos indus, visuomet mūvėkite šilumai atsparias pirštines.



PAVOJUS:

Atidarydami dureles, būkite atsargūs, nes pro jas gali išeiti garai.
Karšti garai gali nudeginti rankas, veidą ir (arba) akis.

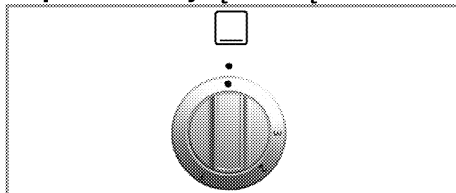
Patarimai dėl kepimo

- Naudokite tinkamas nepridegančias metalines lėkštes, aliumininius indus arba šilumai atsparias silicio formas.
- Geriausiai išnaudokite grotelių vietą.
- Kepimo formą dėkite grotelių viduryje.
- Prieš jungdami orkaitę arba grilį, pasirinkite tinkamą grotelių padėtį. Nekeiskite grotelių padėties, kai orkaitė yra įkaitusi.
- Orkaitės durelės turi būti uždarytos.

Patarimai dėl kepinimo

- Visa višta, kalakutas ir dideli mėsos gabalai iškeps geriau, jeigu prieš tai juos palaikysite marinatuose, pavyzdžiui, citrinų sulčių ir juodųjų pipirų.
- Mėsai su kaulais iškepti reikia maždaug 15 - 30 minučių daugiau, nei kepanant tokio paties dydžio kepsnį be kaulų.
- Turėtumėte apskaičiuoti kepsnio kepinimo laiką: vienas mėsos centimetras į aukštį iškepa per 4 - 5 minutes.
- Mėsai iškepus, palikite ją orkaitėje dar maždaug 10 minučių. Sultys geriau pasiskirsto kepsnyje ir neišbėga, kai mėsa pjaustoma.
- Šilumai atspariame inde gaminamą žuvį reikėtų dėti ant grotelių viduriniame arba apatiniame lygyje.

Kaip naudoti dujinę orkaitę

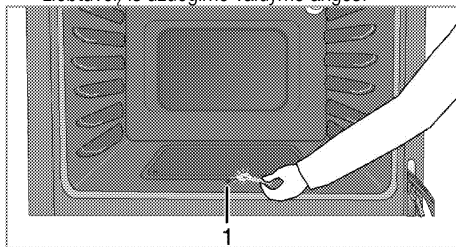


Dujinė orkaitė valdoma dujinės orkaitės valdymo rankenėle. Išjungimo padėtyje (viršutinėje), dujų tiekimas yra išjungtas.

Dujinės orkaitės įjungimas

Dujinė orkaitė uždegama dujiniu žiebtuvėliu.

1. Atidarykite orkaitės dureles.
2. Laikykite dujinės orkaitės valdymo rankenėlę nuspauštą ir sukite ją **prieš laikrodžio rodyklę**.
3. Paspauskite ir atleiskite uždegimo mygtuką.
4. Laikykite dujinės orkaitės valdymo rankenėlę nuspauždę maždaug 3–5 sekundes.
» Kartokite veiksmą, kol dujos užsiliepsnos.
5. Laikykite dujinės orkaitės valdymo rankenėlę nuspauždę dar maždaug 3-5 sekundžių.
Patikrinkite, ar dujos užsidegė ir pasirodė liepsna.
6. Nustatykite norimą kepimo galingumą / dujų žymę.
7. Jei nėra elektros, dujas uždekite naudodami dujų žiebtuvėlį iš uždegimo valdymo angos.



1 Kontrolinė uždegimo anga



PAVOJUS:

Kyla dujų suspaudimo ir sprogo rizika!
Dujų nebandykite uždegti daugiau nei 15 sekundžių. Jei degiklis neuždegamas per 15 sekundžių, išjunkite rankenėlę ir palaukite 1 minutę. Prieš bandydami uždegti degiklį išvėdinkite kambarį. Kyla dujų suspaudimo ir sprogo rizika!

Dujinės orkaitės išjungimas

1. Pasukite dujinės orkaitės valdymo rankenėlę į išjungimo (viršutinę) padėtį.
Dujų lygių reikšmės:

Dujų lygis	1	2	3
°C			

Maisto gaminimo laiko lentelė



1-ieji orkaitės bėgeliai yra **apatiniai** bėgeliai.



Maksimali leistina orkaitės skardos apkrova:
4 kg (8,8 svarų).



Šioje diagramoje parodytas laikas yra tik kaip orientyras. Laikas gali skirtis priklausomai nuo maisto temperatūros, storio, tipo ir jūsų pageidaujamo kepimo būdo.

Dėkite porcijas ant kepimo lakšto, kad sultys nenutekėtų ant orkaitės dugno, ir orkaitę būtų lengviau išvalyti.

Kepimas ir kepinimas

Maisto produktas	Pašildymas *	Skardos įdėjimo lygis	Valdymo rankenėlės padėtis	Kepimo laikas
Obuolių pyragas	10 min.	4..5	1	25..30 min.
Vaisinis pyragas	10 min.	4..5	1	25..35 min.
Pyragas	10 min.	3..4	1	30..40 min.
Sausainiai	10 min.	4..5	1	25..35 min.
Tešlainiai	10 min.	5	1	35..45 min.
Tortas	10 min.	3	1	30..40 min.
Biskvitas	–	4..5	1	20..30 min.
Avienos kepsnys	10 min.	4..5	1	35..45 min. 450 g + 30 min.
Roštufas	10 min.	2	1	50..60 min. 450 g + 30 min.
Kalakutas	10 min.	3..4	1	50..60 min. 450 g + 30 min.
Paukštiena	10 min.	3..4	1	30..40 min. 450 g + 25 min.
Mėsos/žuvies troškiniai	–	4	1	90..120 min. ^s
Žuvis	10 min.	3	1	35..45 min.
Makaronai	10 min.	3..4	1	35..40 min.
Pyrageliai	10 min.	4	1	30..35 min.
Karšti sumuštiniai „Viktorija“	10 min.	3	1	22..28 min.

* esant valdymo rankenėlės padėčiai 2 / ^s priklausomai nuo kiekio / ^s priklausomai nuo dydžio

7 Techninis aptarnavimas ir priežiūra

Bendroji informacija

Prietaisą reguliai valant, pailgėja gaminio naudojimo laikas ir sumažėja trikdžių atvejų.



PAVOJUS:

Prieš atlikdami techninę priežiūrą ir prieš valydami, prietaisą atjunkite nuo maitinimo tinklo. Kyla elektros smūgio pavojus!



PAVOJUS:

Prieš valydami viryklę, leiskite jai atvėsti. Karšti paviršiai gali nudeginti!

- Kruopščiai išvalykite gaminį po kiekvieno panaudojimo. tada gaminimo likučius bus lengviau pašalinti, jie nepridegs orkaitę naudojant kitą kartą
- Prietaisui valyti nereikia jokių specialių valymo priemonių. Naudokite šiltą vandenį su trupučiu indų plovimo skysčio, minkštą skudurėlį ar kempinę gaminiui valyti ir sausą skudurėlį drėgmei iššluostyti.
- Būtinai visada sausai nuvalykite bet kokius išsiliejusius arba po valymo likusius skysčius.
- Nerūdijančio plieno paviršiams ir rankenai valyti nenaudokite valymo priemonių, kurių sudėtyje yra rūgšties ar chloro. Tokias dalis valykite skystoje valymo priemonėje (be šveičiamųjų medžiagų) sudrėkintu skudurėliu; būtinai braukite viena kryptimi.
- **(Ši funkcija yra pasirinktinė. Jūsų gaminyje jos gali nebūti.)**
Stikliniam gaubtui valyti nenaudokite jokių kietų metalinių grandyklų arba šlifuojamųjų valymo priemonių. Gali būti pažeistas stiklo paviršius.



Tam tikros valymo priemonės ar valymo medžiagos gali apgadinti paviršius. Valydami nenaudokite šerdinančių valymo priemonių, valymo miltelių/pienelio ar kokių nors aštrių daiktų.



Šiam prietaisui valyti nenaudokite garinių valymo prietaisų, nes gali kilti elektros smūgis.

Kaitlentės valymas

Dujinės kaitlentės

1. Nuimkite ir nuvalykite puodų laikiklius bei degiklių dangtelius.
2. Išvalykite viryklę.
3. Uždėkite degiklių dangtelius ir patikrinkite, ar jie tinkamai įtvirtinti.
4. Montuodami viršutines groteles, puodų laikiklius būtinai dėkite taip, kad degikliai būtų centruose.

Valdymo skydo valymas

Nuvalykite valdymo skydelį ir rankenėles drėgnu skudurėliu, paskui nušluostykite sausa šluoste.



Valydami valdymo skydelį, nenuimkite valdymo rankenėlių.

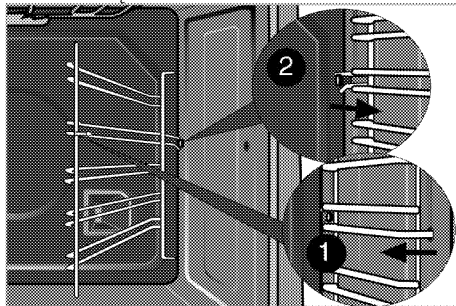
Galite sugadinti valdymo skydelį!

Orkaitės valymas

Norėdami išvalyti šoninę sienelę

(Ši funkcija yra pasirinktinė. Jūsų gaminyje jos gali nebūti.)

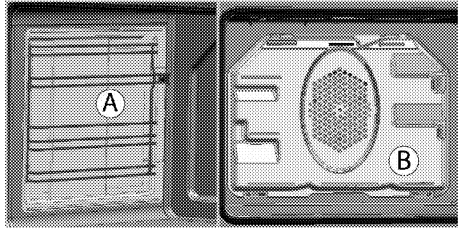
1. Ištraukite priekinę šoninę grotelių dalį, traukdami ją šalin nuo šoninės sienelės.
2. Visiškai išimkite šonines groteles, traukdami jas link savęs.



Kataliziniai paviršiai

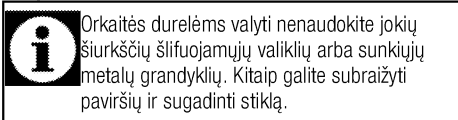
(Ši funkcija yra pasirinktinė. Jūsų gaminyje jos gali nebūti.)

Vidinės šoninės (A) ir / arba galinė jūsų gaminio sienelė (B) gali būti padengta kataliziniu emaliu. Katalizinės sienelės yra šviesios matinės spalvos ir akyto paviršiaus. Katalizinių orkaitės sienelių valyti negalima. Akytas katalizinių sienelių paviršius išsivalo savaime, sugerdamas ir skaidydamas išsitaškusius riebalus (paverčia juos garais ir anglies dvideginiu).



Orkaitės durų valymas

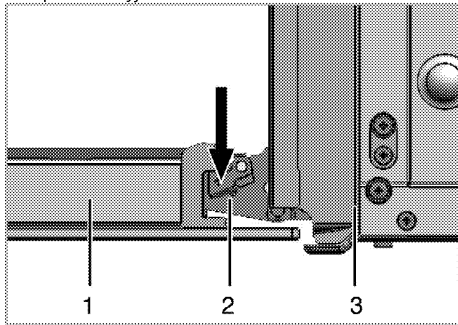
Norėdami išvalyti orkaitės dureles, naudokite šiltą vandenį su trupučiu indų plovimo skysčio, minkštą skudurėlį ar kempinę gaminiui valyti ir sausą skudurėlį drėgmei iššluostyti.



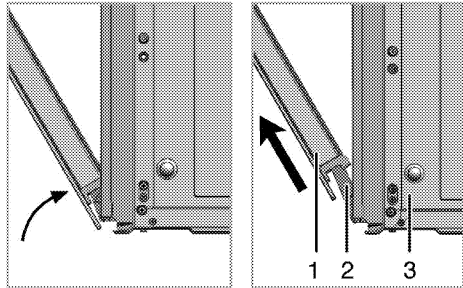
Orkaitės durelėms valyti nenaudokite jokių šiurkščių šlifuojamųjų valiklių arba sunkiųjų metalų grandyklų. Kitaip galite subraižyti paviršius ir sugadinti stiklą.

Orkaitės durelių išėmimas

1. Atidarykite priekines dureles (1).
2. Atlenkite spaustukus, esančius prie dešinės ir kairės priekinių durelių pusės vyrių korpusų (2), paspausdami juos žemyn, kaip parodyta paveikslėlyje.



- 1 Priekinės durelės
- 2 Vyris
- 3 Orkaitė



3. Pusiau praverkite priekines dureles.
4. Nuimkite priekines dureles, traukdami jas aukštyn, kad jos atsikabintų nuo dešiniojo ir kairiojo vyrių.



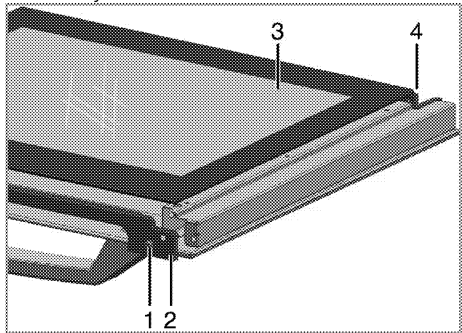
Norint vėl sumontuoti dureles, nuėmimo proceso metu atliktus žingsnius reikia atlikti atvirkščia tvarka. Vėl įstatę dureles, nepamirškite užspausti prie vyrių korpusų esančių spaustukų.

Durelių vidinės stiklo plokštės išėmimas

(Ši funkcija yra pasirinktinė. Jūsų gaminyje jos gali nebūti.)

Vidinę orkaitės durelių stiklo plokštę galima išimti ir išvalyti.

1. Atidarykite orkaitės dureles.



- 1 Varžtas
 - 2 Profilis
 - 3 Vidinė stiklo plokštė
 - 4 Plastikinė anga
2. Atsuktuvu išsukite varžtą (1).
 3. Išimkite profilį (2), kuris laiko vidinį stiklą (3).
 4. Paskui vėl sutapdinkite dureles, dėkite stiklo plokštę (3) į plastikinės angas (4) ir sutapdinkite profilį.

Orkaitės lemputės keitimas



PAVOJUS:

Prieš keisdami orkaitės lemputę, įsitikinkite, kad prietaisas yra išjungtas iš elektros tinklo ir atvėšęs, kad išvengtumėte galimo elektros smūgio.

Karšti paviršiai gali nudeginti!



Orkaitės lemputė - tai speciali, 300 °C karščiu atspari elektros lemputė; išsamiau žr.

Techniniai duomenys, puslapis 12. Orkaitės lempučių galima nusipirkti iš įgaliotojo techninio aptarnavimo centro atstovų.



Lempučių padėtis gali skirtis nuo pavaizduotosios paveikslėlyje.



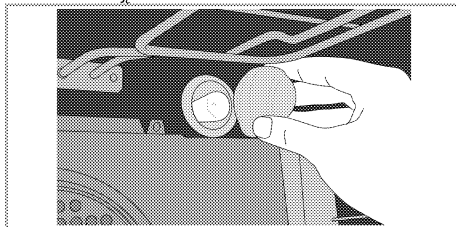
Šiame prietaise naudojama lempa netinkama kambarių apšvietimui. Ši lempa skirta naudotojui padėti geriau matyti maistą.



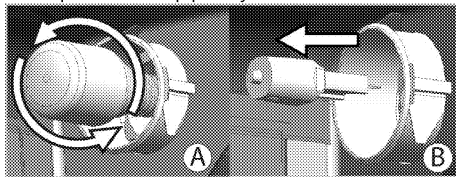
Šiame prietaise naudojamos lempos turi atlaikyti ekstremalias sąlygas, pavyzdžiui, didesnę nei 50 °C temperatūrą.

Jeigu orkaitėje sumontuota apvali lemputė:

1. Ištraukite gaminio kištuką iš elektros tinklo.
2. Pasukite stiklinį gaubtelį prieš laikrodžio rodyklę ir nuimkite jį.



3. Jei orkaitėje įrengta (A) tipo lemputė (žr. iliustraciją), ją išsukite ir pakeiskite kaip parodyta. Jei orkaitėje įrengta (B) tipo lemputė, ją ištraukite ir pakeiskite kaip parodyta.



4. Uždėkite stiklinį gaubtelį.

